

CHAPTER

28

FUEL

CESSNA®
MODEL 208
ILLUSTRATED PARTS CATALOG

CHAPTER SECTION SUBJECT		NUMBER OF PAGES	DATE
28 - TITLE			
28 - LIST OF EFFECTIVE PAGES			
28 - RECORD OF TEMPORARY REVISIONS			
28 - TABLE OF CONTENTS			
28-10-01	Figure 01	2	Sep 1/2017
28-10-03	Figure 01	6	Sep 1/2016
28-21-00	Figure 01	10	Mar 1/2018
28-21-00	Figure 02	10	Mar 1/2019
28-21-00	Figure 03	2	Apr 1/2016
28-22-00	Figure 01	6	Sep 1/2016
28-22-01	Figure 01	2	Jun 1/2013
28-23-00	Figure 01	6	Sep 1/2016
28-23-01	Figure 01	2	Dec 1/2012
28-40-00	Figure 01	2	Mar 1/2020
28-41-00	Figure 01	2	Sep 1/2016
28-41-00	Figure 02	2	Sep 1/2017
28-42-01	Figure 01	2	Apr 1/2016

CESSNA®
MODEL 208
 ILLUSTRATED PARTS CATALOG

<u>SUBJECT</u>	<u>CHAPTER SECTION SUBJECT</u>	<u>FIGURE</u>	<u>EFFECTIVITY</u>	
			<u>START</u>	<u>END</u>
FUEL FILLER CAP INSTALLATION	28-10-01	01		
FUEL VENTILATION SYSTEM	28-10-03	01		
FUEL DISTRIBUTION SYSTEM	28-21-00	01	0001	& ON
FUEL DISTRIBUTION SYSTEM	28-21-00	02	B0001	& ON
FUEL ECOLOGY TANK SYSTEM	28-21-00	03	B5000	& ON
FUEL RESERVOIR COMPONENTS	28-22-00	01	0001	& ON
			B0001	& ON
TKS FUEL SUMP INSTALLATION - FAIRING	28-22-01	01	0518	& ON
			B2000	& ON
FUEL SELECTOR CONTROLS	28-23-00	01	0001	& ON
FUEL SHUTOFF VALVES	28-23-01	01		
SIGNAL CONDITIONER INSTALLATION	28-40-00	01	0500	0650
			B2000	B5500
FUEL INDICATING SYSTEM	28-41-00	01		
FUEL SENSOR	28-41-00	02	0500	& ON
			B2000	& ON
FUEL SELECTORS OFF WARNING SYSTEM	28-42-01	01	0106	& ON
			B0001	& ON

CESSNA®
MODEL 208
 ILLUSTRATED PARTS CATALOG

FIG ITEM	PART NUMBER	NOMENCLATURE	1 2 3 4 5 6 7							UNITS PER ASSY
01		FUEL FILLER CAP INSTALLATION								RF
-										
1	C156005-0107	. CAP ASSY-FUEL FILLER								02
2	MS29513-338	. . O-RING-FUEL CAP								02
3	431-140	. . WASHER								01 R
4	AN310-4	. . NUT								01 R
5	MS24665-1013	. . COTTER PIN								01 R
6	MS27380-3	. LANYARD								02
- 7	417-128	. RING-LANYARD ATTACH								01
- 8	MS29513-010	. O-RING-HANDLE ASSY								02
9	C156005-0105	. ADAPTER ASSY								02
		ATTACHING PARTS								
10	MS24693-C50	. SCREW								12
		—*—								
11	C156005-0107	. CAP ASSY-FUEL FILLER						0014	& ON	02
								B0001	& ON	
12	MS29513-338	. . O-RING-FUEL CAP						0014	& ON	02
								B0001	& ON	
13	431-140	. . WASHER								01 R
14	AN310-4	. . NUT								01 R
15	MS24665-1013	. . COTTER PIN								01 R
16	MS27380-3	. LANYARD						0014	& ON	01
								B0001	& ON	
- 17	417-128	. RING-LANYARD ATTACH								01
- 18	MS29513-010	. O-RING-HANDLE ASSY						0014	& ON	02
								B0001	& ON	
19	C156005-0105	. ADAPTER ASSY						0014	& ON	02
		ATTACHING PARTS						B0001	& ON	
20	MS24693-C50	. SCREW						0014	& ON	12
								B0001	& ON	
		—*—								
21	2601091-1	. DOUBLER ASSY-LH						0014	& ON	01
								B0001	& ON	
- 22	2601091-2	. DOUBLER ASSY-RH						0014	& ON	01
								B0001	& ON	
23	MS21047L08	. . NUTPLATE						0014	& ON	12
								B0001	& ON	

- ITEM NOT ILLUSTRATED

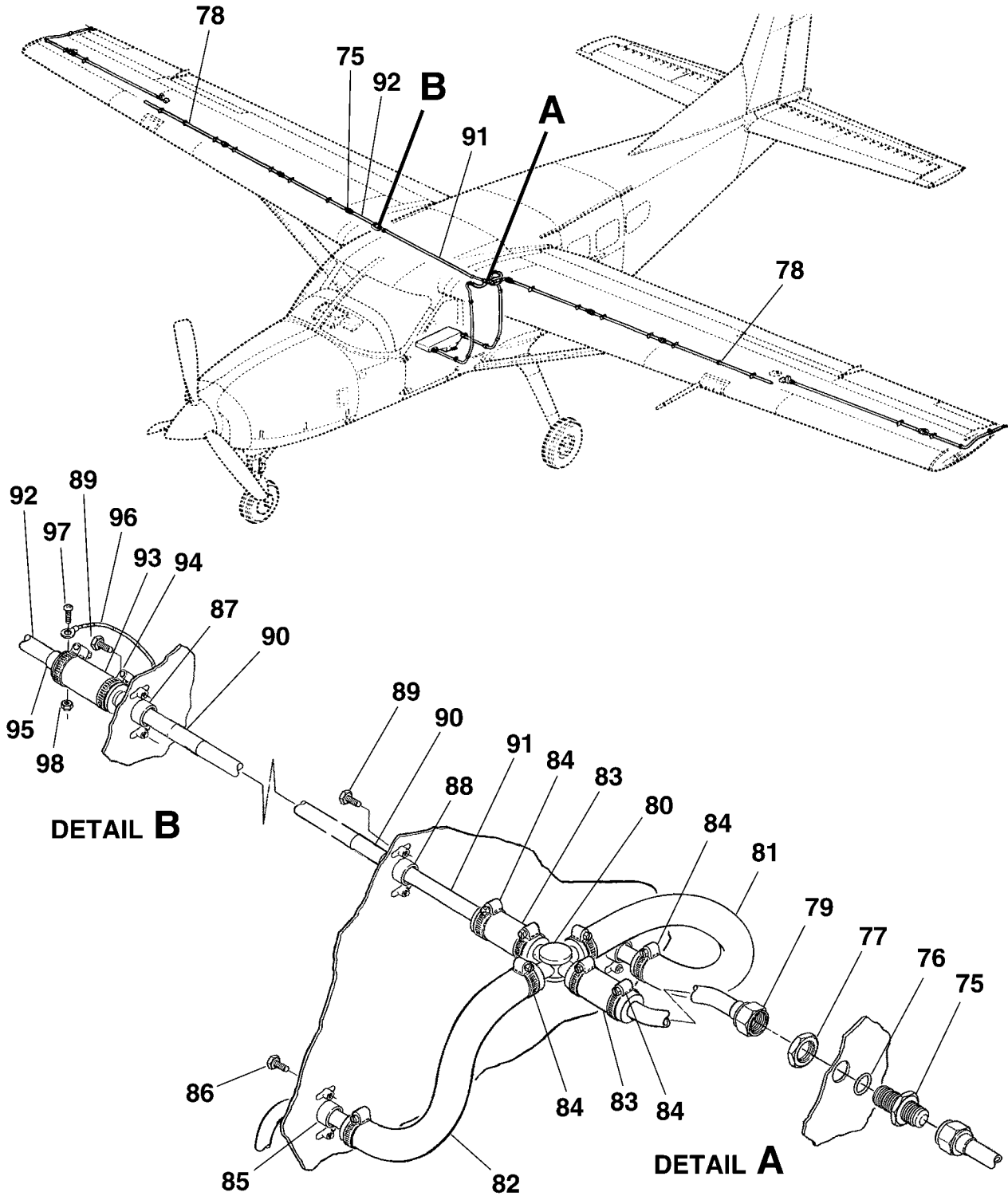
CESSNA®
MODEL 208
 ILLUSTRATED PARTS CATALOG

FIG ITEM	PART NUMBER	NOMENCLATURE	UNITS
			PER ASSY
		1 2 3 4 5 6 7	
01		FUEL VENTILATION SYSTEM	RF
-			
1	2600101-59	. LINE ASSY LH	01
2	2600101-60	. LINE ASSY RH	01
		ATTACHING PARTS	
3	AN742D8	. CLAMP	01
- 4	MS35206-261	. SCREW	01
5	MS35489-15	. GROMMET	01
		—*—	
6	2600101-43	. LINE ASSY	02
7	S51-8	. HOSE 3.00 IN LG BKI	02
		ATTACHING PARTS	
8	S2357-3	. CLAMP	02
		—*—	
9	AN735D8	. CLAMP	04
10	S2876-1BB6	. WIRE-JUMPER	02
		ATTACHING PARTS	
11	MS35207-263	. SCREW	02
12	MS21044N3	. NUT	02
		—*—	
13	2126001-1	. VALVE ASSY- FUEL VENT	02
		ATTACHING PARTS	
14	MS29512-08	. O-RING	01
15	NAS1149C1290R	. WASHER	01
16	AN6289D8	. NUT	01
		—*—	
17	2600101-46	. LINE ASSY	02
18	2600101-47	. LINE ASSY	02
19	2600101-48	. LINE ASSY	02
20	AS5174D0808	. UNION	04
21	2121001-2	. RETAINER-HALF	32
		ATTACHING PARTS	
22	AN3-5A	. BOLT	02
		—*—	

- ITEM NOT ILLUSTRATED

CESSNA®
MODEL 208
ILLUSTRATED PARTS CATALOG

A24946



26262003
A26262001
B26262001

FUEL VENTILATION SYSTEM
FIGURE 01 (SHEET 2)

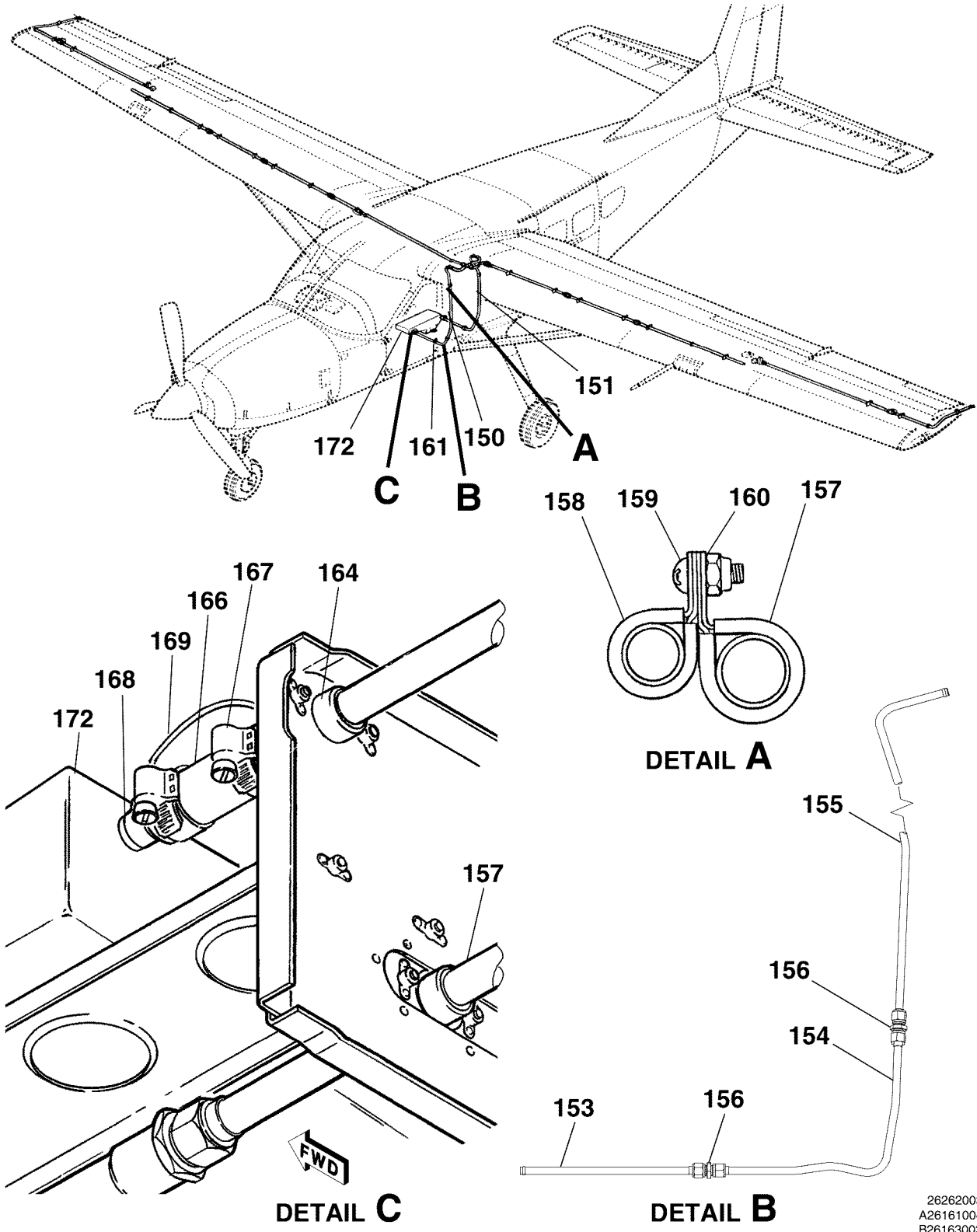
CESSNA®
MODEL 208
 ILLUSTRATED PARTS CATALOG

FIG ITEM	PART NUMBER	1 2 3 4 5 6 7	NOMENCLATURE	UNITS PER ASSY		
01						
75	AN832-8D		. UNION-BULKHEAD			02
			. ATTACHING PARTS			
76	MS29512-08		. O-RING			01
77	AS5178W08		. NUT			01
			—*—			
78	MS21266-1N		. GROMMET			02
79	2600101-49		. LINE ASSY			01
80	2616020-1		. CROSS ASSY-HOSE FSO S3026-8-8-8-8	0001	0240	NP
- 80A	S3026-8-8-8-8		. CROSS ASSY-HOSE	B0001	B0423	
				0241	& ON	01
				B0424	& ON	
81	S51-8		. HOSE 15.00 IN LG BKI			01
82	S51-8		. HOSE 13.00 IN LG BKI			01
83	S51-8		. HOSE 3.00 IN LG BKI			02
			. ATTACHING PARTS			
84	S2357-3		. CLAMP			02
			—*—			
85	S45A-12		. SEAL V03296			02
			. ATTACHING PARTS			
86	AN3-3A		. BOLT			02
			—*—			
87	S45A-12		. SHIELD HALF			02
88	S45A-12		. SHIELD HALF			02
			. ATTACHING PARTS			
89	MS35207-263		. SCREW			02
			—*—			
90	S1071-3		. SLEEVE 1.30 IN LG BKI			02
91	2600101-52D		. LINE			01
92	2600101-53		. LINE ASSY			01
93	S51-8		. HOSE 2.50 IN LG BKI			01
			. ATTACHING PARTS			
94	S2357-3		. CLAMP			02
			—*—			
95	AN735D8		. CLAMP			02
96	S2876-1BB6		. WIRE-JUMPER			01
			. ATTACHING PARTS			
97	MS35207-263		. SCREW			02
98	MS21044N3		. NUT			02
			—*—			

- ITEM NOT ILLUSTRATED

CESSNA®
MODEL 208
 ILLUSTRATED PARTS CATALOG

A24947



FUEL VENTILATION SYSTEM
 FIGURE 01 (SHEET 3)

26262003
 A26161004
 B26163003

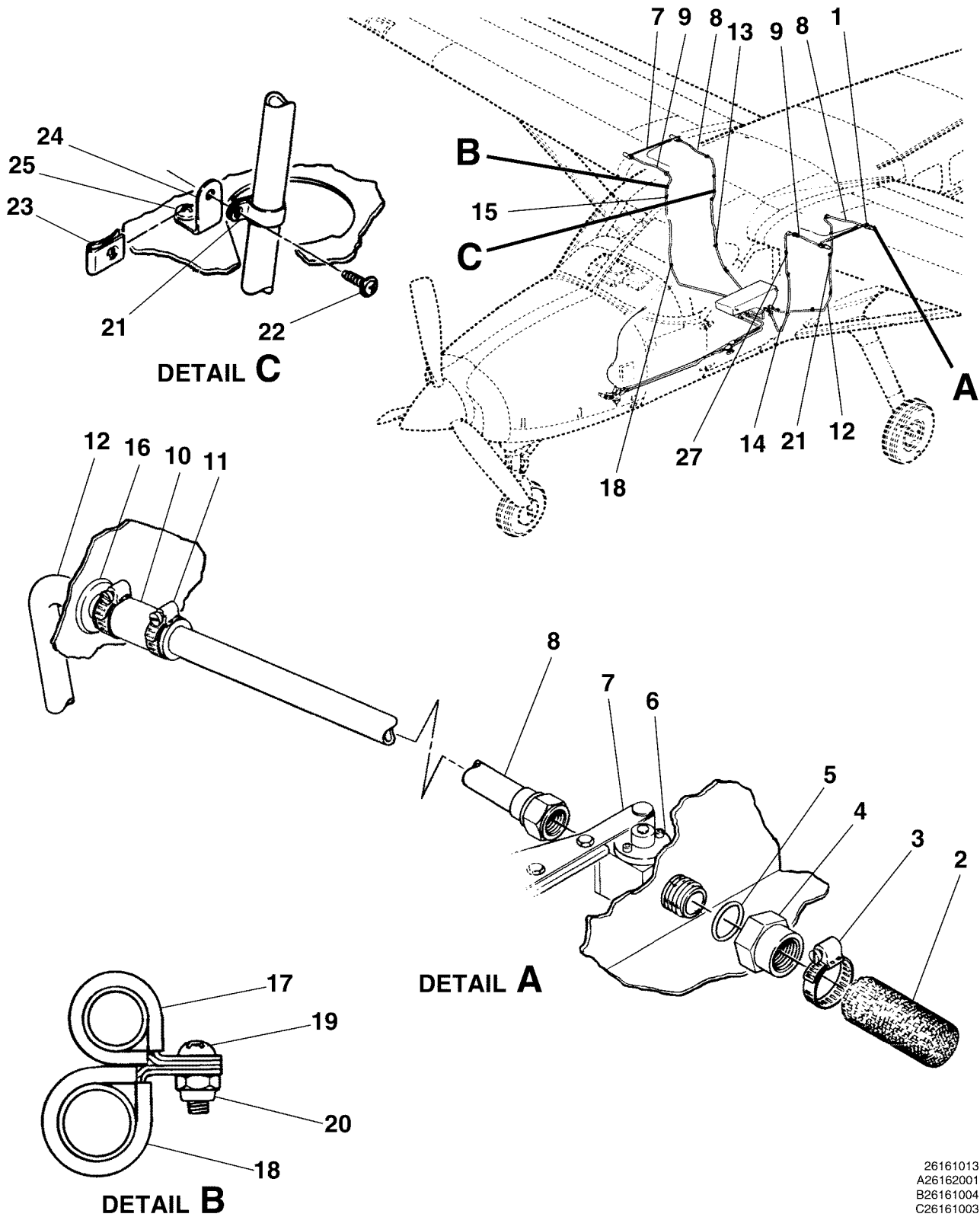
CESSNA®
MODEL 208
ILLUSTRATED PARTS CATALOG

FIG ITEM	PART NUMBER	NOMENCLATURE	UNITS
			PER ASSY
		1 2 3 4 5 6 7	
01			
150	2600101-51D	. LINE FWD	01
151	2600101-50D	. LINE AFT-REFER TO NOTE 1	01
- 152	2695009-4	. TUBE ASSY-FUEL, MOD REFER TO NOTE 1	01 R
153	2695009-1	. . TUBE ASSY-FUEL, MOD REFER TO NOTE 1	01 R
154	2695009-2	. . TUBE ASSY-FUEL, MOD REFER TO NOTE 1	01 R
155	2695009-3	. . TUBE ASSY-FUEL, MOD REFER TO NOTE 1	01 R
156	AS5174D0808	. UNION-REFER TO NOTE 1	02 R
157		. FUEL DISTRIBUTION SYSTEM REFER TO 28-21-00 FIGURE 01	RF
158	MS21919DG8	. CLAMP ATTACHING PARTS	04
159	MS35207-264	. SCREW	01
160	MS21044N3	. NUT —*—	01
161	MS21919DG8	. CLAMP FSO BL101-8-1	NP
- 162	MS35207-263	. SCREW FSO BL101-8-1	NP
- 163	BL101-8-1	. SPIRAL WRAP	04
164	2611146-1	. SEAL ATTACHING PARTS	02
- 165	AN3-3A	. BOLT —*—	02
166	S51-8	. HOSE 2.50 IN LG BKI ATTACHING PARTS	02
167	S1891-10S	. CLAMP —*—	02
168	AN735D8	. CLAMP	04
169	S2876-1BB6	. WIRE-JUMPER ATTACHING PARTS	02
- 170	MS35207-263	. SCREW	02
- 171	MS21044N3	. NUT —*—	02
172		. FUEL RESERVOIR COMPONENTS REFER TO 28-22-00 FIGURE 01	RF
NOTE 1—AIRPLANES -0403 THRU -0423 AND -0500 THRU -0523, AND -B1189 THRU -B1317, -B2000 THRU -B2089, -B2091 THRU -B2177, -B2179 THRU -B2183, -B2185 THRU -B2196, -B2198 THRU -B2204, -B2206 THRU -B2218, -B2220, -B2221, -B2225 THRU -B2229, -B2231, AND -B2232 INCORPORATING CAB-28-01.			

R

CESSNA®
MODEL 208
 ILLUSTRATED PARTS CATALOG

A25072



FUEL DISTRIBUTION SYSTEM
 FIGURE 01 (SHEET 1)

26161013
 A26162001
 B26161004
 C26161003

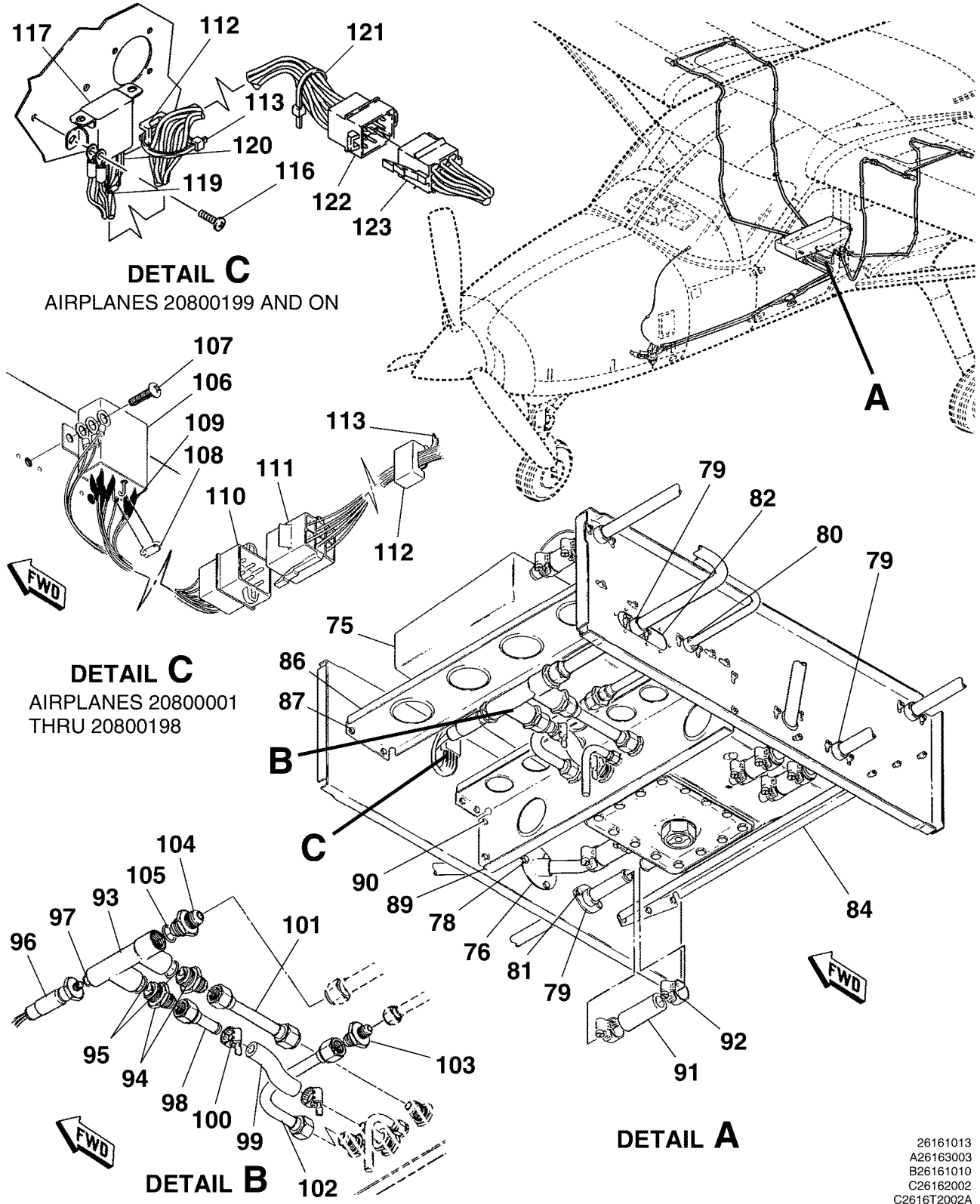
CESSNA®
MODEL 208
 ILLUSTRATED PARTS CATALOG

FIG ITEM	PART NUMBER	NOMENCLATURE	UNITS PER ASSY	
			1 2 3 4 5 6 7	
01		FUEL DISTRIBUTION SYSTEM	0001	& ON RF
-				
1	2656007-1	. STRAINER ASSY-FUEL		04
2	2656007-4	. SCREEN-STRAINER		01
		. ATTACHING PARTS		
3	AN737TW44	. CLAMP		01
		—*—		
4	2656007-2	. ADAPTER		01
		. ATTACHING PARTS		
5	MS29512-12	. O-RING		01
		—*—		
6		. FUEL SHUTOFF VALVES REFER TO 28-23-01 FIGURE 01		RF
7		. FUEL SELECTOR CONTROLS INSTL REFER TO 28-23-00 FIGURE 01		RF
8	2600101-7	. LINE ASSY-FUEL AFT		02
9	2600101-9	. LINE ASSY-FUEL FWD		02
10	S51-10-12	. HOSE		04
		. ATTACHING PARTS		
11	S1891-12S	. CLAMP		02
		—*—		
12	2600101-1	. LINE ASSY-FUEL LH AFT		01
13	2600101-2	. LINE ASSY-FUEL RH AFT		01
14	2600101-3	. LINE ASSY-FUEL LH FWD		01
15	2600101-4	. LINE ASSY-FUEL RH FWD		01
16	MS35489-18	. GROMMET-AFT REFER TO NOTE 1		02
- 16A	MS35489-19	. GROMMET-FWD		02
17		. FUEL VENTILATION SYSTEM REFER TO 28-10-03 FIGURE 01		RF
18	MS21919DG10	. CLAMP		04
		. ATTACHING PARTS		
19	MS35207-264	. SCREW		01
20	MS21044N3	. NUT		01
		—*—		
21	AN742D10	. CLAMP		02
		. ATTACHING PARTS		
22	S1021Z8-8	. SCREW		01
23	S4213-17	. CLIP NUT		01
		—*—		
24	S2300-14	. BRACKET		02
		. ATTACHING PARTS		
25	MS35207-264	. SCREW		01
- 26	MS21044N3	. NUT		01
		—*—		
27	AN742D10	. CLAMP		02
		. ATTACHING PARTS		
- 28	S1021Z8-8	. SCREW		01
- 29	S4213-17	. CLIP NUT		01
		—*—		

NOTE 1—SOLID GROMMET MUST BE SPLIT AT TIME OF INSTALLATION.

CESSNA®
MODEL 208
 ILLUSTRATED PARTS CATALOG

A24949



DETAIL C
 AIRPLANES 20800199 AND ON

DETAIL C
 AIRPLANES 20800001
 THRU 20800198

DETAIL B

DETAIL A

FUEL DISTRIBUTION SYSTEM
 FIGURE 01 (SHEET 2)

26161013
 A26163003
 B26161010
 C26162002
 C2616T2002A

CESSNA®
MODEL 208
ILLUSTRATED PARTS CATALOG

FIG ITEM	PART NUMBER	NOMENCLATURE	UNITS PER ASSY		
			1	2	3
01					
75		. FUEL RESERVOIR COMPONENTS REFER TO 28-22-00 FIGURE 01			RF
76	2611147-2	. SEAL ASSY RH	0001	0329	01
- 76A	2611147-8	. SEAL ASSY RH	0330	& ON	01
- 77	2611147-1	. SEAL ASSY LH	0001	0329	01
- 77A	2611147-7	. SEAL ASSY LH	0330	& ON	01
		. ATTACHING PARTS			
78	AN3-3A	. BOLT	0001	0329	03
- 78A	AN3-3A	. BOLT	0330	& ON	04
- 78B	NAS1149F0363P	. WASHER	0330	& ON	04
		. *			
79	S45A13	. SEAL	V03296		03
80	NMCS45A12	. SEAL	V03296		01
		. ATTACHING PARTS			
81	AN3-4A	. BOLT			02
		. *			
82	2616027-1	. DOUBLER ASSY			01
- 83	MS21047L3	. NUTPLATE			02
84		. SUPPORT ASSY-FUEL RESERVOIR AFT REFER TO 53-12-00 FIGURE 01			RF
- 85	2611152-3	. RUB STRIP			01
86	2611152-2	. SUPPORT ASSY-FUEL RESERVOIR FWD			01
		. ATTACHING PARTS			
87	AN3-3A	. BOLT			04
		. *			
- 88	2611152-6	. RUB STRIP			01
89		. FUEL RESERVOIR COMPONENTS REFER TO 28-22-00 FIGURE 01			RF
		. ATTACHING PARTS			
90	AN3-3A	. BOLT			08
		. *			
91	S51-10-10	. HOSE			04
		. ATTACHING PARTS			
92	S1891-10S	. CLAMP			02
		. *			
93	5956008-4	. MANIFOLD ASSY			01
94	8C214-1	. VALVE-SWING CHECK	V82829		02
95	MS29512-12	. O-RING			02
96	S2615-1	. SWITCH-FUEL PRESSURE FSO 2615-2	0001	0241	NP
- 96A	S2615-2	. SWITCH-FUEL PRESSURE	0242	& ON	01
97	MS29512-04	. O-RING			01
98	2616028-1	. LINE ASSY			01
99	S51-8	. HOSE 3.50 IN LG BKI			01
		. ATTACHING PARTS			
100	AN737TW30	. CLAMP			02
		. *			
101	2600101-74	. LINE ASSY-FUEL			01
- 101A	S2692-8N	. SEAL-CONICAL OPTIONAL			02
102	2600101-75	. LINE ASSY-FUEL			01
103	AS5174D0806	. REDUCER			01
104	AS5174D1008	. REDUCER			01
105	MS29512-08	. O-RING			01
106	B07D912BC1-0359	. RELAY-FUEL PRESSURE	V58614	0001	0198
		. ATTACHING PARTS			
107	MS35206-230	. SCREW	0001	0198	02
		. *			
108	1N4005	. DIODE	0001	0198	01
109	S1694-4	. TUBE-HEAT SHRINK BKI	0001	0198	AR
110	S1640-6	. CONNECTOR-ELEC PIN	0001	0198	01
111	S1641-6	. CONNECTOR-ELEC SOCKET	0001	0198	01
112	S1741-1	. ANCHOR			01
113	S2209-2	. TIE			01
- 114	2670119-1	. RELAY ASSY-FUEL PUMP FSO 2670119-2	0199	0236	01
- 115	2670119-2	. RELAY ASSY-FUEL PUMP	0237	0499	01
		. ATTACHING PARTS			
116	MS35206-230	. SCREW	0199	& ON	02
		. *			
117	B07D912BC1-0359	. RELAY FSO MS27743-17	V02289	0199	0236
- 118	M83536/33-005L	. RELAY	0237	& ON	01
119	1N4005	. DIODE	0199	0236	01
120	M23053/5-104-9	. SLEEVING	0199	& ON	AR
121	S2209-2	. TIE	0199	& ON	02
122	S1640-9	. CONNECTOR-ELEC PIN	0199	& ON	01
123	S1641-9	. CONNECTOR- ELEC SOCKET	0199	& ON	01

- ITEM NOT ILLUSTRATED

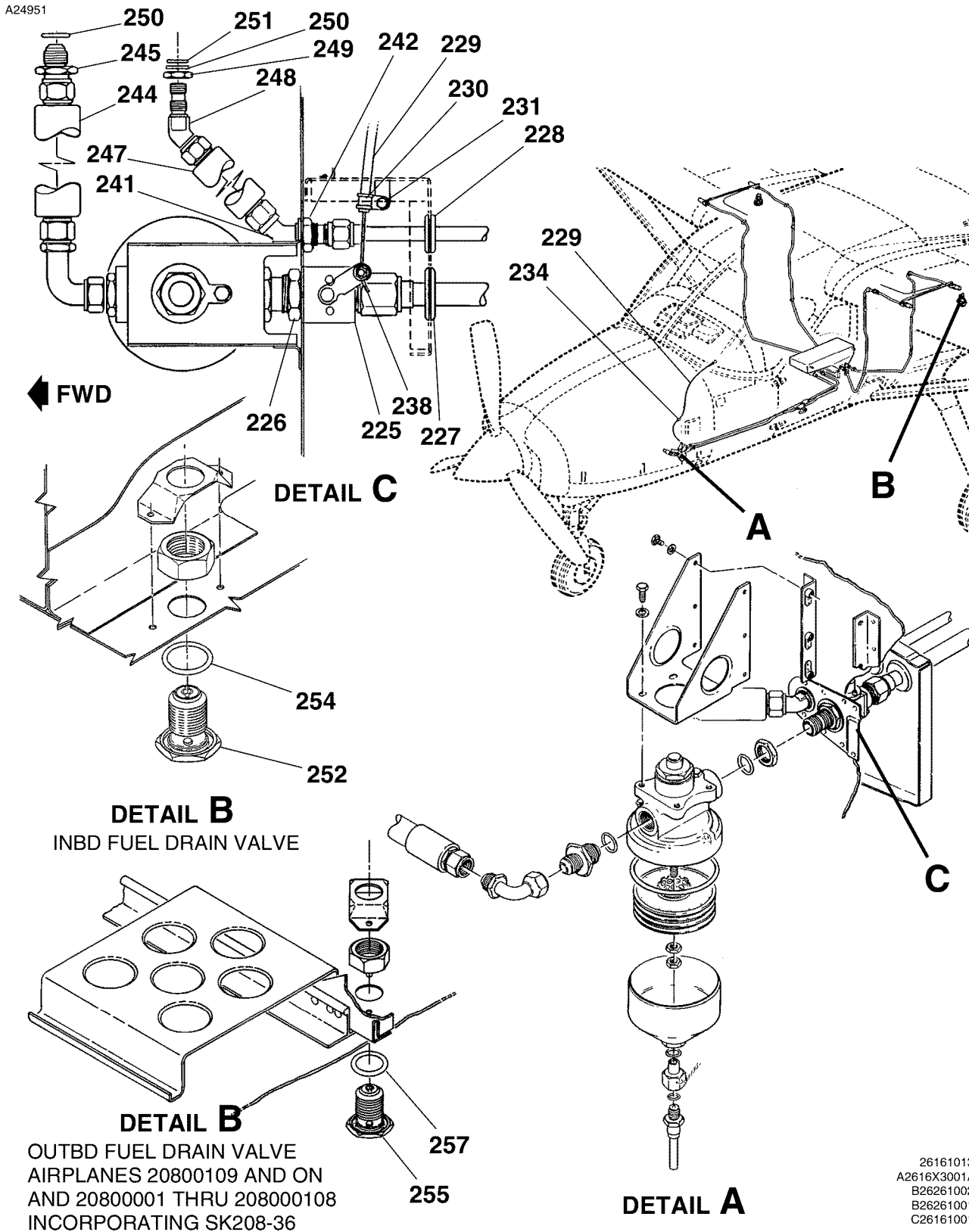
CESSNA®
MODEL 208
 ILLUSTRATED PARTS CATALOG

FIG ITEM	PART NUMBER	NOMENCLATURE	UNITS PER ASSY		
			1	2	3
01					
150	1J18-10	. FUEL FILTER ASSY V26433			01
		. ATTACHING PARTS			
151	AS5178-10	. NUT			01
152	MS29513-117	. O-RING			01
153	AN4H3A	. BOLT			04
154	NAS1149C0432R	. WASHER			04
		*—			
155	102A10001-15	. O-RING V26433			01
- 156	MS29513-237	. O-RING			01
157	D9-55-1	. FILTER-FUEL V26433			01
		. ATTACHING PARTS			
158	104A10004-06	. NUT V26433			02
		*—			
159	A1-533-1	. BOWL-FUEL FILTER V26433			01
		. ATTACHING PARTS			
160	D4-324-1	. DRAIN PORT V26433			01
161	102A10001-16	. O-RING V26433			01
- 162	MS29513-013	. O-RING			01
		*—			
163	102A10001-36	. O-RING-INDICATOR BUTTON V26433			01
- 164	MS29513-122	. O-RING-INDICATOR BUTTON			01
165	2653001-2	. COVER PLATE	0123	& ON	01
166	S1450-14S20-032	. WASHER	0123	& ON	01
167	NAS1149C0963R	. WASHER	0123	& ON	01
168	50C9F	. DRAIN VALVE-FUEL V91511			01
169	MS28778-6	. O RING			01
170	2626013-2	. BRACKET	0001	0329	01
- 170A	2626013-14	. BRACKET	0330	& ON	01
		. ATTACHING PARTS			
171	AN3-3A	. BOLT	0001	0131	06
- 172	AN3-3A	. BOLT	0132	& ON	05
173	NAS1149C0332R	. WASHER	0001	0131	06
- 174	NAS1149C0332R	. WASHER	0132	& ON	05
		*—			
175		. SUPPORT ASSY REFER TO 53-10-00 FIGURE 01			RF
176	MS29513-117	. O-RING			01
177	AS5174-1008	. REDUCER			01
178	500454-85	. ELBOW V00624			01

- ITEM NOT ILLUSTRATED

CESSNA®
MODEL 208

ILLUSTRATED PARTS CATALOG



FUEL DISTRIBUTION SYSTEM
FIGURE 01 (SHEET 4)

26161013
A2616X3001A
B26261002
B26261001
C26161001

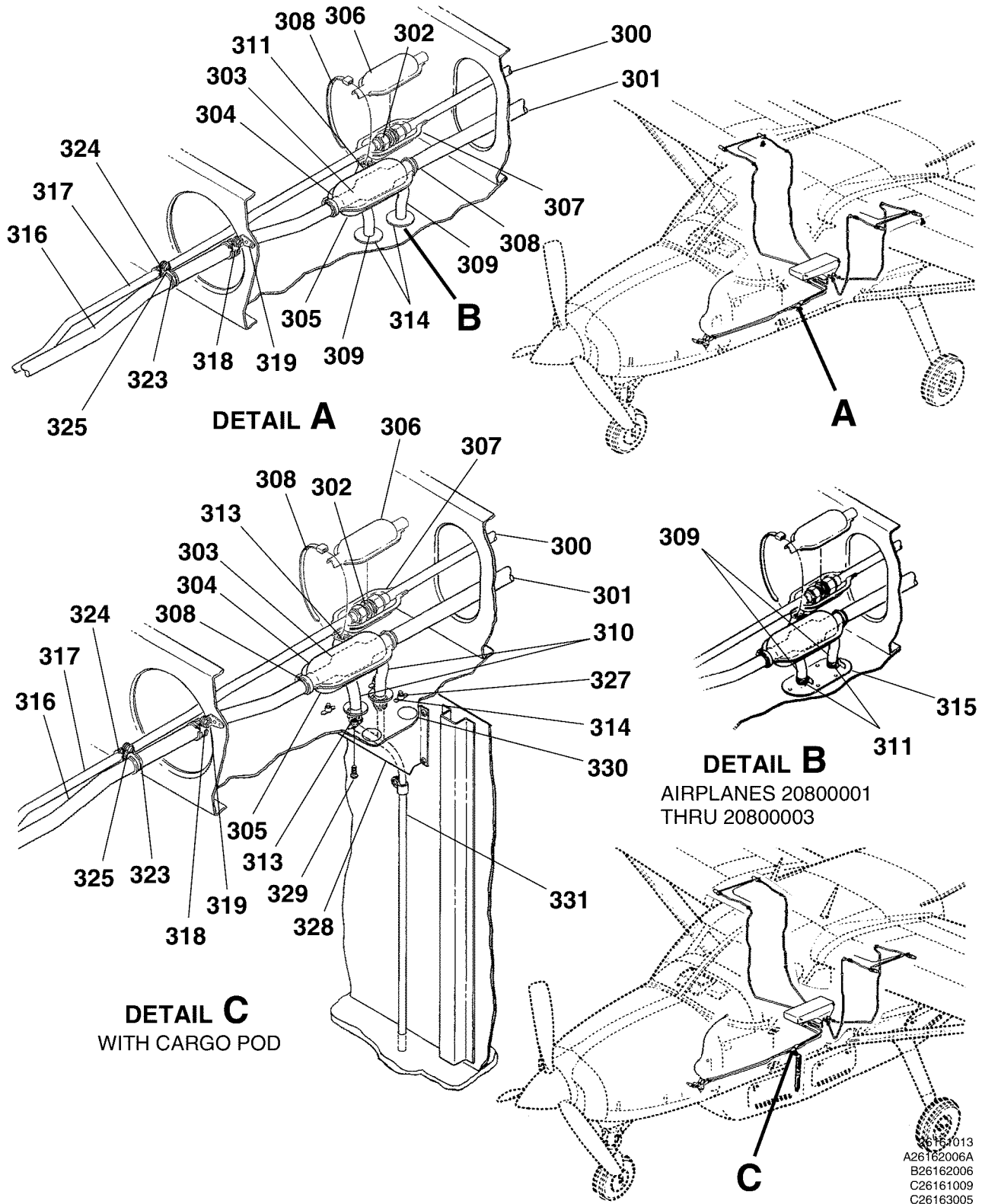
CESSNA®
MODEL 208
ILLUSTRATED PARTS CATALOG

FIG ITEM	PART NUMBER	NOMENCLATURE	1 2 3 4 5 6 7			UNITS PER ASSY
01						
225		. VALVE-FUEL SHUTOFF REFER TO 28-23-01 FIGURE 01				RF
		ATTACHING PARTS				
226	AS5178-10	. NUT				01
		—*				
227	MS35489-18	. GROMMET				01
228	MS35489-12	. GROMMET				01
229	S1241-54	. CONTROL ASSY-FUEL SHUTOFF				01
230	S2226-3	. CLAMP				01
		ATTACHING PARTS				
231	AN3-4A	. BOLT				01
- 232	NAS1149F0332P	. WASHER				01
- 233	MS21044N3	. NUT				01
		—*				
234	S2226-3	. CLAMP				01
- 235	AN525-10R7	. SCREW				01
- 236	NAS1149F0332P	. WASHER				01
- 237	MS21044N3	. NUT				01
238	S2323-5	. CLAMP-CONTROL				01
		ATTACHING PARTS				
- 239	NAS1149D0332K	. WASHER				01
- 240	MS21044N3	. NUT				01
		—*				
241	AN837-6J	. ELBOW				01
		ATTACHING PARTS				
242	AS5178J06	. NUT				01
- 243	NAS1149C0932R	. WASHER				01
		—*				
244	S2495-8B000-0520	. HOSE ASSY-FUEL SUPPLY TO ENGINE FSO S2808-8B0520		0001	0260	NP
- 244A	S2808-8B0520	. HOSE ASSY-FUEL SUPPLY TO ENGINE ALT FOR AE3663726H0520		0261	& ON	01
- 244B	AE3663726H0520	. HOSE ASSY-FUEL SUPPLY TO ENGINE		0261	& ON	01
245	AS5174D0808	. UNION				01
- 246	MS29512-08	. O-RING				01
247	S2495-6-000-0330	. HOSE ASSY-FUEL MOTIVE FLOW TO ENGINE FSO S2808-6-0330		0001	0260	NP
- 247A	S2808-6-0330	. HOSE ASSY-FUEL MOTIVE FLOW TO ENGINE ALT FOR AE3663724G0330		0261	& ON	01 R
- 247B	AE3663724G0330	. HOSE ASSY-FUEL MOTIVE FLOW TO ENGINE ALT FOR S2808-6-0330		0261	& ON	01 R
248	S2626-1J	. ELBOW				01
249	AN6289J5	. NUT				01
250	MS28773-05	. RETAINER				01
251	MS29512-05	. O-RING				01
252	79C1	. VALVE-FUEL DRAIN 1 LH & 1 RH		V91511		02
- 253	2-010-V835-75	. . O-RING - INTERNAL-ALT FOR 2-010V835-75		V83259		01
254	MS29513-020	. O-RING 1 LH & 1 RH				02
255	79C1	. VALVE-FUEL DRAIN 1LH & 1 RH REFER TO NOTE 1		V91511	0109	& ON 02
- 256	2-010-V835-75	. . O-RING - INTERNAL REFER TO NOTE 1		V83259	0109	& ON 01
257	MS29513-020	. O-RING 1 LH & 1 RH REFER TO NOTE 1		0109	& ON	02

NOTE 1—AIRPLANES -0109 & ON AND -0001 THRU -0108 INCORPORATING SK208-36.

CESSNA®
MODEL 208
 ILLUSTRATED PARTS CATALOG

A25073



FUEL DISTRIBUTION SYSTEM
 FIGURE 01 (SHEET 5)

26161013
 A26162006A
 B26162006
 C26161009
 C26163005

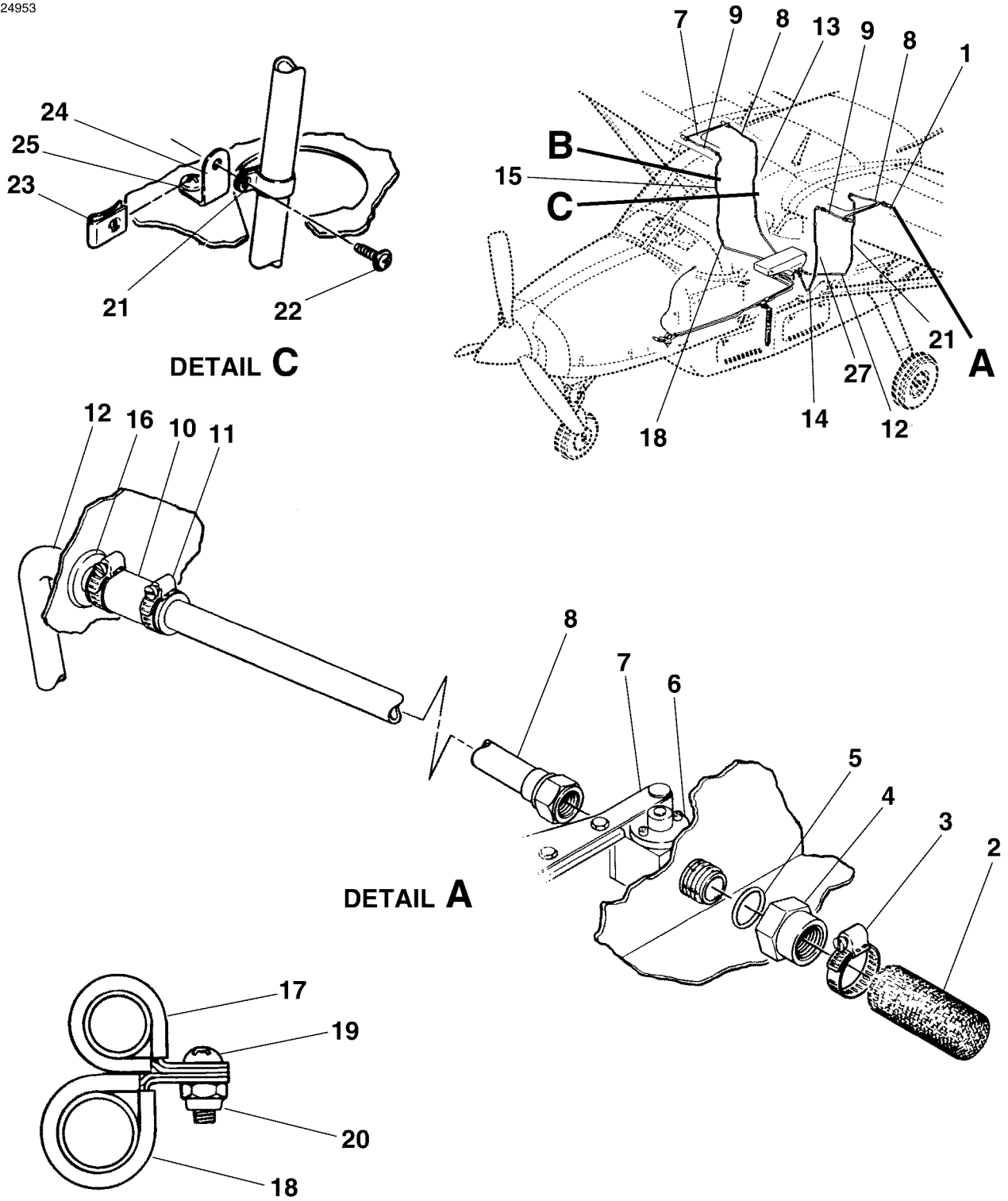
CESSNA®
MODEL 208
ILLUSTRATED PARTS CATALOG

FIG ITEM	PART NUMBER	NOMENCLATURE	UNITS PER ASSY	
			1 2 3 4 5 6 7	
01				
300	2600101-14	. LINE ASSY-FUEL		01
301	2600101-15	. LINE ASSY-FUEL		01
302	AS5174D0606	. UNION		01
303	AS5174-1010	. UNION		01
304	2611195-8	. COVER-FUEL LINE UNION UPPER		01
305	2611195-4	. COVER ASSY-FUEL LINE UNION LOWER		01
306	2611195-6	. COVER-FUEL LINE UNION UPPER		01
307	2611195-3	. COVER ASSY-FUEL LINE UNION LOWER		01
		ATTACHING PARTS		
308	MS3367-1-9	. STA STRAP		02
		—*—		
309	S2548-4	. HOSE 5.00 IN LG BKI W/O CARGO POD	0001	& ON 02
310	S2548-4	. HOSE 6.00 IN LG BKI WITH CARGO POD	0001	& ON 02
		ATTACHING PARTS		
311	S2357-1	. CLAMP	0001	0003 02
- 312	S2357-1	. CLAMP W/O CARGO POD	0004	& ON 01
313	S2357-1	. CLAMP WITH CARGO POD	0001	& ON 02
		—*—		
314	MS35489-14	. GROMMET	0004	& ON 02
315	2613024-1	. DRAIN TUBE ASSY	0001	0003 01
316	2600101-28	. LINE ASSY-FUEL		01
317	2600101-31	. LINE ASSY-FUEL		01
318	MS21919DG10	. CLAMP		01
		ATTACHING PARTS		
319	MS35207-267	. SCREW		01
- 320	NAS43DD3-16N	. SPACER		01
- 320A	NAS43DD3-16FC	. SPACER ALT FOR NAS43DD3-16N		01
- 321	MS21044N3	. NUT		01
- 322	AN743-13	. BRACKET		01
		—*—		
323	MS21919DG10	. CLAMP		01
324	MS21919DG6	. CLAMP		01
		ATTACHING PARTS		
325	MS35207-264	. SCREW		01
- 326	MS21044N3	. NUT		01
		—*—		
327	MS21047L08	. NUTPLATE WITH CARGO POD	0001	& ON 04
328	2601221-1	. COVER-FUEL DRAIN LINE WITH CARGO POD	0001	& ON 01
		ATTACHING PARTS		
329	MS35206-244	. SCREW WITH CARGO POD	0001	& ON 08
		—*—		
330	CM2692-26-1S	. PLUG BUTTON WITH CARGO POD	0001	0024 01
331		. CARGO POD INSTALLATION REFER TO 25-52-00 FIGURE 01		RF

- ITEM NOT ILLUSTRATED

CESSNA®
MODEL 208
 ILLUSTRATED PARTS CATALOG

A24953



26161013
 A26162001
 B26161004
 C26161003

FUEL DISTRIBUTION SYSTEM
 FIGURE 02 (SHEET 1)

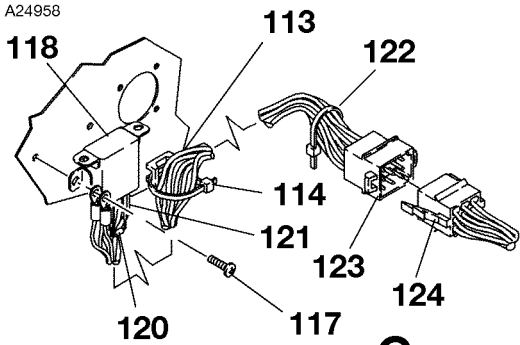
CESSNA®
MODEL 208
 ILLUSTRATED PARTS CATALOG

FIG ITEM	PART NUMBER	NOMENCLATURE	UNITS PER ASSY		
			1	2	3
02		FUEL DISTRIBUTION SYSTEM	B0001	& ON	RF
-		CLAMP			01
1	2656007-1	. STRAINER ASSY-FUEL	B0001	B4999	04
- 1A	2656007-6	. STRAINER ASSY-FUEL	B5000	& ON	04
2	2656007-5	. SCREEN ASSY	B0001	B4999	01
- 2A	2656007-9	. SCREEN ASSY	B5000	& ON	01
		ATTACHING PARTS			
3	AN737TW44	. CLAMP			01
		—*—			
4	2656007-2	. ADAPTER			01
5	MS29512-12	. O-RING			01
6		. FUEL SHUTOFF VALVES REFER TO 28-23-01 FIGURE 01			RF
7		. FUEL SELECTOR CONTROLS INSTL REFER TO 28-23-00 FIGURE 01			RF
8	2600101-7	. LINE ASSY-FUEL AFT			02
9	2600101-9	. LINE ASSY-FUEL FWD			02
10	S51-10-12	. HOSE			04
		ATTACHING PARTS			
11	S1891-12S	. CLAMP			02
		—*—			
12	2600101-1	. LINE-FUEL LH AFT			01
13	2600101-2	. LINE-FUEL RH AFT			01
14	2600101-3	. LINE-FUEL LH FWD			01
15	2600101-4	. LINE-FUEL RH FWD			01
16	MS35489-18S	. GROMMET-AFT REFER TO NOTE 1	B0001	B4999	02
- 16A	MS35489-18	. GROMMET-AFT	B5000	& ON	02
- 16B	MS35489-19	. GROMMET-FWD			02
17		. FUEL VENTILATION SYSTEM REFER TO 28-10-03 FIGURE 01			RF
18	MS21919DG10	. CLAMP			04
		ATTACHING PARTS			
19	MS35207-264	. SCREW			01
20	MS21044N3	. NUT			01
		—*—			
21	AN742D10	. CLAMP			02
		ATTACHING PARTS			
22	S1021Z8-8	. SCREW			01
23	S4213-17	. CLIP NUT			01
		—*—			
24	S2300-14	. BRACKET			02
		ATTACHING PARTS			
25	MS35207-264	. SCREW			01
- 26	MS21044N3	. NUT			01
		—*—			
27	AN742D10	. CLAMP			02
		ATTACHING PARTS			
- 28	S1021Z8-8	. SCREW			01
- 29	S4213-17	. CLIP NUT			01
		—*—			

NOTE 1—SOLID GROMMET MUST BE SPLIT AT TIME OF INSTALLATION.

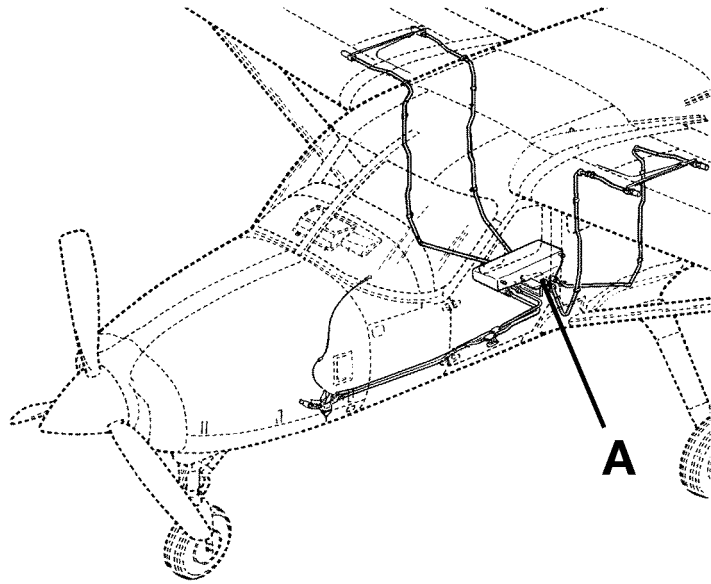
CESSNA®
MODEL 208
 ILLUSTRATED PARTS CATALOG

A24958

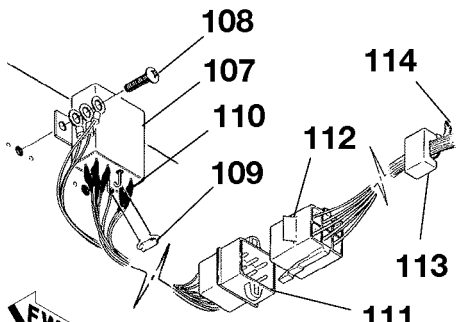


DETAIL C

AIRPLANES 208B0242 AND ON



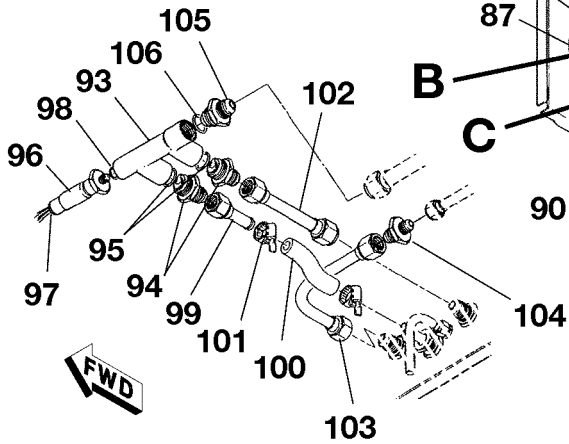
A



DETAIL C

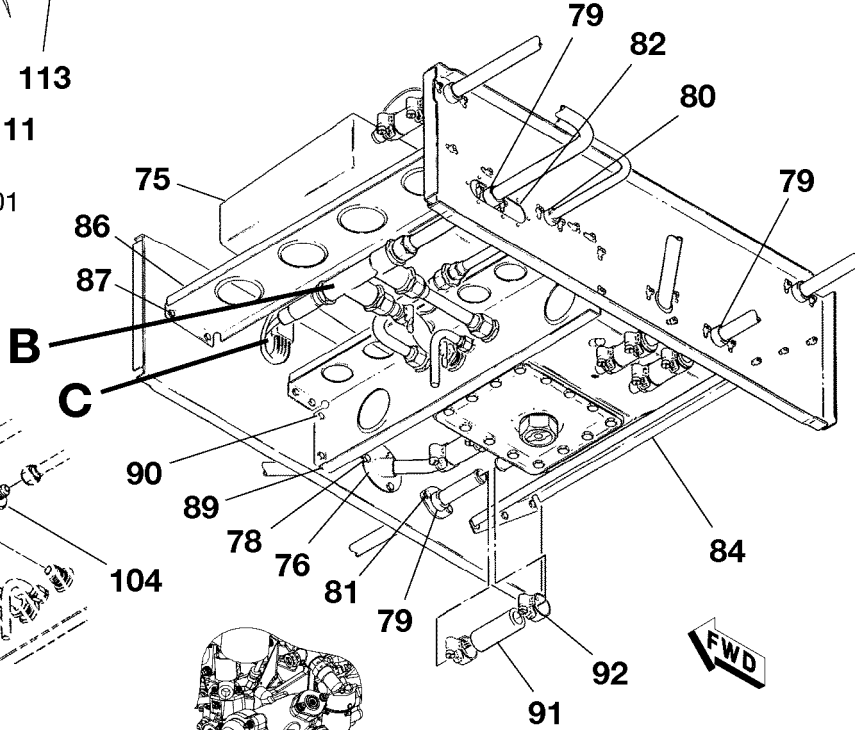
AIRPLANES 208B0001
 THRU 208B0241

FWD



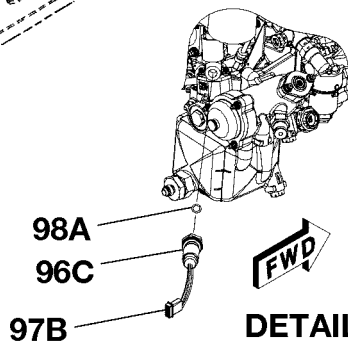
DETAIL B

FWD



DETAIL A

FWD



DETAIL B

AIRPLANES 208B5000 AND ON

FWD

FUEL DISTRIBUTION SYSTEM
 FIGURE 02 (SHEET 2)

26161013
 A2616R3003
 B2616T1044
 B2616R1010
 C2616R2002
 C2616R2002A

CESSNA®
MODEL 208
ILLUSTRATED PARTS CATALOG

FIG ITEM	PART NUMBER	NOMENCLATURE	UNITS		
			1	2	3
02					
75		. FUEL RESERVOIR COMPONENTS REFER TO 28-22-00 FIGURE 01			RF
76	2611147-2	. SEAL ASSY RH	B0001	B0853	01
- 76A	2611147-8	. SEAL ASSY RH	B0854	& ON	01
- 77	2611147-1	. SEAL ASSY LH	B0001	B0853	01
- 77A	2611147-7	. SEAL ASSY LH	B0854	& ON	01
		. ATTACHING PARTS			
78	AN3-3A	. BOLT	B0001	B0853	03
- 78A	AN3-3A	. BOLT	B0854	& ON	04
- 78B	NAS1149F0363P	. WASHER	B0854	& ON	04
		. *—			
79	S45A-13	. SEAL	V03296		03
80	S45A-12	. SEAL	V03296		01
81	AN3-4A	. BOLT-SEAL ATTACH			02
82	2616027-1	. DOUBLER ASSY			01
- 83	MS21047L3	. NUTPLATE			02
84		. SUPPORT ASSY-FUEL RESERVOIR AFT REFER TO 53-12-00 FIGURE 01 . .			RF
- 85	2611152-3	. RUB STRIP			01
86	2611152-2	. SUPPORT ASSY-FUEL RESERVOIR FWD			01
87	AN3-3A	. BOLT-SUPPORT ASSY ATTACH			04
- 88	2611152-6	. RUB STRIP			01
89		. FUEL RESERVOIR COMPONENTS REFER TO 28-22-00 FIGURE 01			RF
90	AN3-3A	. BOLT-FUEL RESEVIOR COMPONENTS ATTACH			08
91	S51-10-10	. HOSE			04
92	S1891-10S	. CLAMP-CLAMP ATTACH			02
93	5956008-4	. MANIFOLD ASSY			01
94	8C214-1	. VALVE-SWING CHECK	V82829		02
95	MS29512-12	. O-RING			02
96	S2615-1	. SWITCH-FUEL PRESSURE FSO 2615-2 SC012	B0001	B0431	NP
- 96A	S2615-2	. SWITCH-FUEL PRESSURE SC012	B0432	B4999	01
- 96B	AS5169D04L	. PLUG/BLEEDER	B5000	& ON	01
96C	S2615-4	. SWITCH-FUEL PRESSURE SN011	B5000	& ON	01
97	2677102-2	. WBA-FUEL RESRVOIR-SMASSY	B2000	B4999	01
- 97A	2677106-2	. WBA-FUEL RESRVOIR-SMASSY	B5000	& ON	01
97B	2677106-5	. WBA-FUEL PRESSURE SWITCH-SMASSY	B5000	& ON	01
98	MS29512-04	. O-RING			01
98A	M83248/2-904	. O-RING			01
99	2616028-1	. LINE ASSY			01
100	S51-8	. HOSE 3.50 IN LG BKI			01
		. ATTACHING PARTS			
101	AN737TW30	. CLAMP			02
		. *—			
102	2600101-74	. LINE ASSY-FUEL			01
- 102A	S2692-8N	. SEAL-CONICAL OPTIONAL			02
103	2600101-75	. LINE ASSY-FUEL			01
104	AS5174D0806	. REDUCER			01
105	AS5174D1008	. REDUCER			01
106	MS29512-08	. O-RING			01
107	2T-4687	. RELAY	V02289	B0001	B0241 01
		. ATTACHING PARTS			
108	MS35206-230	. SCREW	B0001	B0241	02
		. *—			
109	1N4005	. DIODE	B0001	B0241	01
110	S1694-4	. TUBE-HEAT SHRINK BKI	B0001	B0241	AR
111	S1640-6	. CONNECTOR-ELEC PIN	B0001	B0241	01
112	S1641-6	. CONNECTOR-ELEC SOCKET	B0001	B0241	01
113	S1741-1	. ANCHOR			01
114	S2099-2	. TIE			01
- 115	2670119-1	. RELAY ASSY-FUEL PUMP FSO 2670119-2	B0242	B0388	01
- 116	2670119-2	. RELAY ASSY-FUEL PUMP	B0389	& ON	01
		. ATTACHING PARTS			
117	MS35206-230	. SCREW	B0242	& ON	02
		. *—			
118	2T-4687	. RELAY	V02289	B0242	B0388 01
- 119	M83536/33-005L	. RELAY	B0389	& ON	01
120	1N4005	. DIODE	B0242	B0388	01
121	M23053/5-104-9	. SLEEVING	B0242	& ON	AR
122	S2209-2	. TIE	B0242	& ON	02
123	S1640-9	. CONNECTOR-ELEC PIN	B0242	& ON	01
124	S1641-9	. CONNECTOR- ELEC SOCKET	B0242	& ON	01

- ITEM NOT ILLUSTRATED

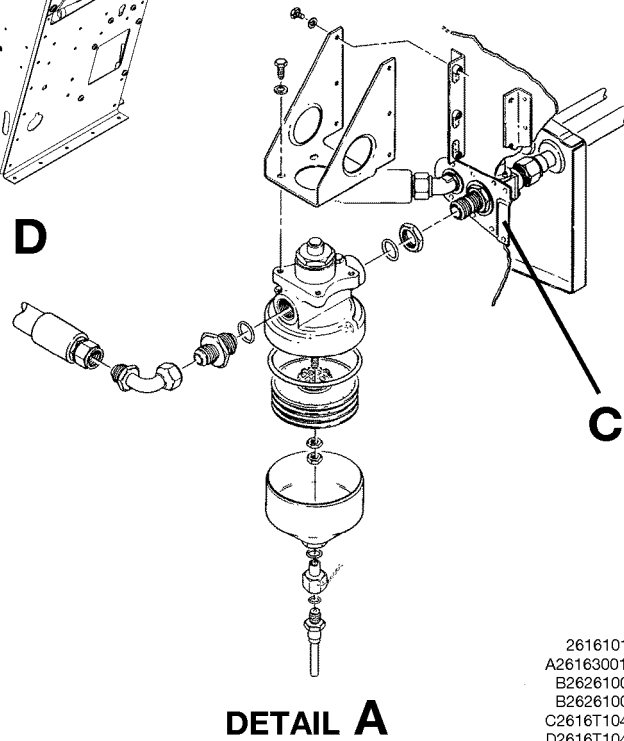
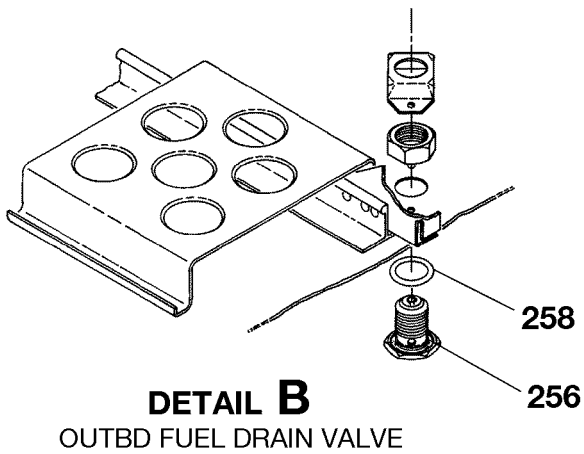
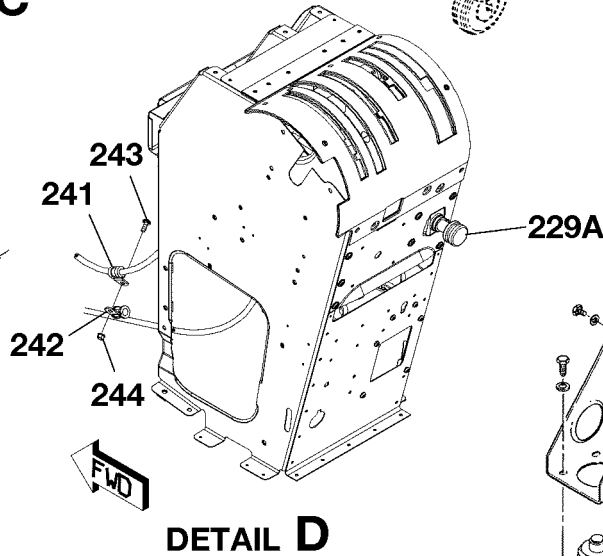
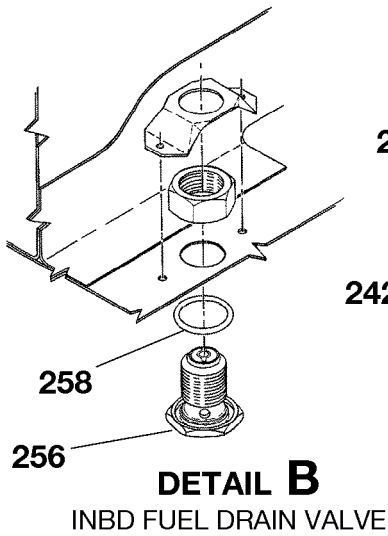
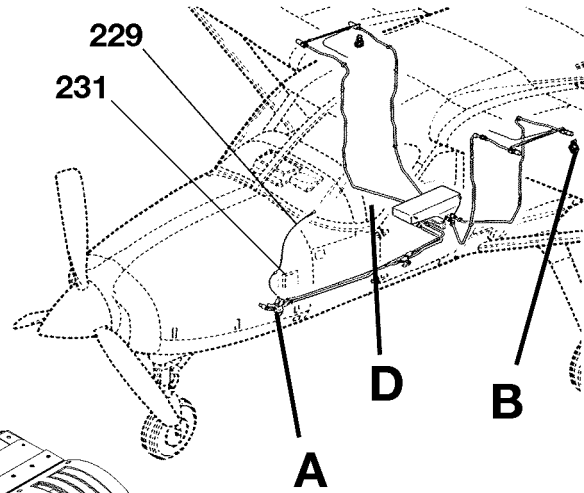
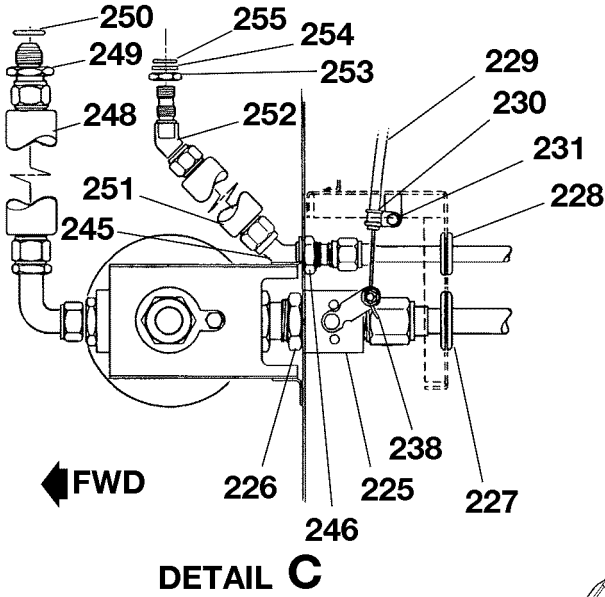
CESSNA®
MODEL 208
ILLUSTRATED PARTS CATALOG

FIG ITEM	PART NUMBER	NOMENCLATURE	UNITS PER ASSY		
			1	2	3
02					
150	1J18-10	. FUEL FILTER ASSY V26433	B0001	B4999	01
		. ATTACHING PARTS			
151	AS5178-10	. NUT	B0001	B4999	01
152	MS29513-117	. O-RING	B0001	B4999	01
153	AN4H3A	. BOLT	B0001	B4999	04
154	NAS1149C0432R	. WASHER	B0001	B4999	04
		—*			
155	102A10001-15	. O-RING V26433	B0001	B4999	01
- 156	MS29513-237	. O-RING	B0001	B4999	01
157	D9-55-1	. FILTER-FUEL V26433	B0001	B4999	01
		. ATTACHING PARTS			
158	104A10004-06	. NUT V26433	B0001	B4999	02
		—*			
159	A1-533-1	. BOWL-FUEL FILTER V26433	B0001	B4999	01
160	D4-324-1	. DRAIN PORT V26433	B0001	B4999	01
161	102A10001-16	. O-RING V26433	B0001	B4999	01
- 162	MS29513-013	. O-RING	B0001	B4999	01
163	102A10001-36	. O-RING-INDICATOR BUTTON V26433	B0001	B4999	01
- 164	MS29513-122	. O-RING-INDICATOR BUTTON	B0001	B4999	01
165	2653001-2	. COVER PLATE	B0001	B4999	01
- 165A	2656001-3	. COVER PLATE	B5000	& ON	01
166	S1450-14S20-032	. WASHER			01
167	NAS1149C0963R	. WASHER			01
168	50C9F	. DRAIN VALVE V91511	B0001	B4999	01
169	MS28778-6	. O-RING	B0001	B4999	01
170	2626013-2	. BRACKET	B0001	B4999	01
		. ATTACHING PARTS			
171	AN3-3A	. BOLT	B0001	B0065	06
- 172	AN3-3A	. BOLT	B0066	B4999	05
173	NAS1149C0332R	. WASHER	B0001	B0065	06
- 174	NAS1149C0332R	. WASHER	B0066	B4999	05
		—*			
175		. SUPPORT ASSY REFER TO 53-10-00 FIGURE 01	B0001	B4999	RF
176	MS29513-117	. O-RING	B0001	B4999	01
177	AS5174-1008	. REDUCER	B0001	B4999	01
178	500454-85	. ELBOW V00624	B0001	B4999	01

- ITEM NOT ILLUSTRATED

CESSNA®
MODEL 208
 ILLUSTRATED PARTS CATALOG

A24960



26161013
 A26163001A
 B26261002
 B26261001
 C2616T1045
 D2616T1045

FUEL DISTRIBUTION SYSTEM
 FIGURE 02 (SHEET 4)

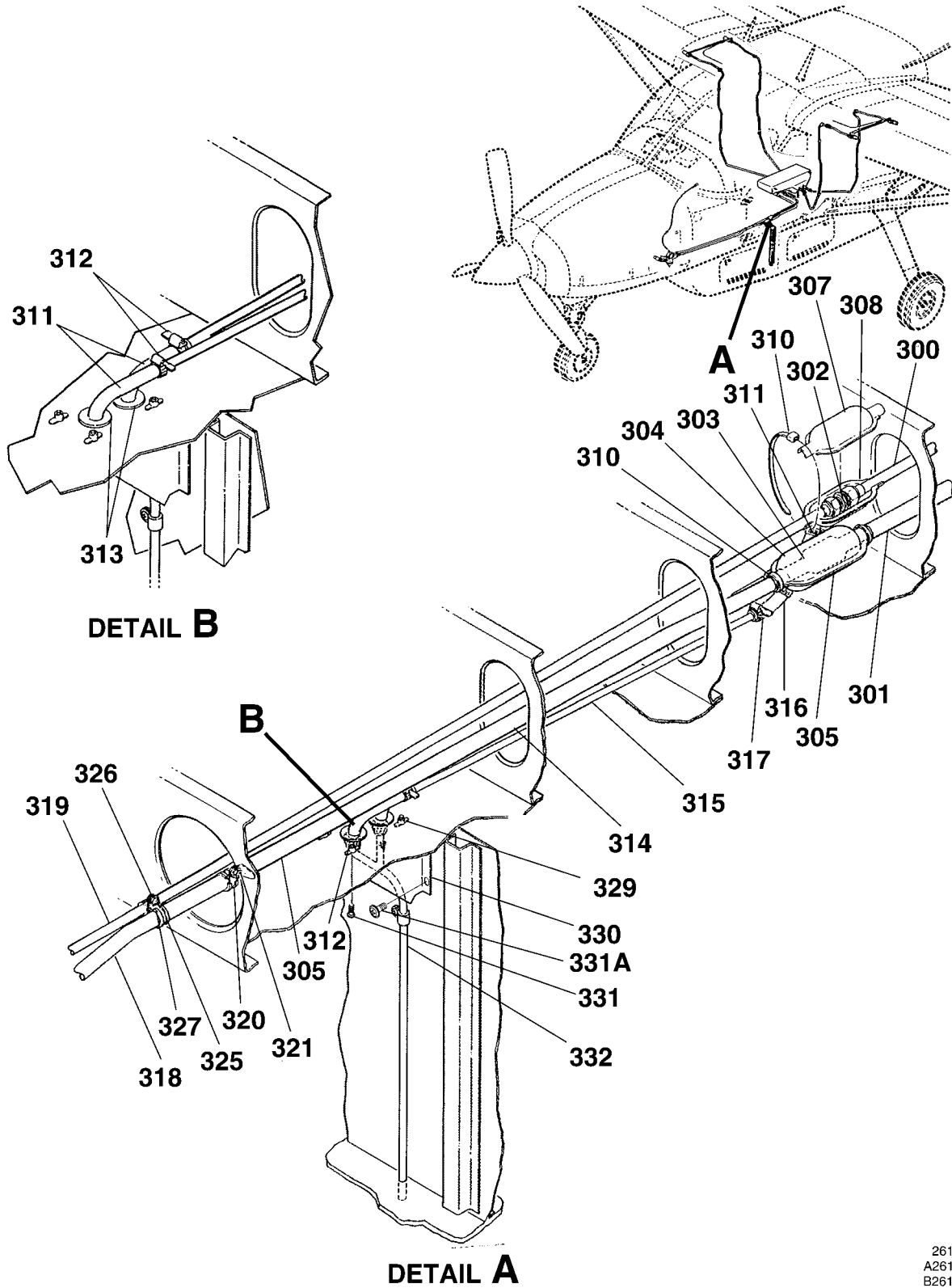
CESSNA®
MODEL 208
ILLUSTRATED PARTS CATALOG

FIG ITEM	PART NUMBER	NOMENCLATURE	UNITS	
			PER	ASSY
02				
225		. VALVE-FUEL SHUTOFF REFER TO 28-23-01 FIGURE 01		RF
		ATTACHING PARTS		
226	AS5178-10	. NUT		01
		—*—		
227	MS35489-18	. GROMMET		01
228	MS35489-12	. GROMMET		01
229	S1241-54	. CONTROL ASSY-FUEL SHUTOFF	B0001 B4999	01
229A	6352	. CONTROL ASSY-DUEL FUEL SHUTOFF	B5000 & ON	01
230	S2226-3	. CLAMP		01
		ATTACHING PARTS		
231	AN3-4A	. BOLT		01
- 232	NAS1149F0332P	. WASHER		01
- 233	MS21044N3	. NUT		01
		—*—		
- 234	S2226-3	. CLAMP		01
		ATTACHING PARTS		
- 235	AN525-10R7	. SCREW		01
- 236	NAS1149F0332P	. WASHER		01
- 237	MS21044N3	. NUT		01
		—*—		
		ATTACHING PARTS		
238	S2323-5	. CLAMP-CONTROL		01
- 239	NAS1149F0332P	. WASHER		01
- 240	MS21044N3	. NUT		01
		—*—		
241	MS21919WDG4	. CLAMP	B5000 & ON	01
242	MS21919WDG5	. CLAMP	B5000 & ON	01
243	MS35207-262	. SCREW	B5000 & ON	01
244	MS21043-3	. NUT	B5000 & ON	01
- 244A	NAS1291C3	. NUT-ALT FOR MS21043-3	B5000 & ON	01
245	AN837-6J	. ELBOW		01
		ATTACHING PARTS		
246	AS5178J06	. NUT		01
- 247	NAS1149C0932R	. WASHER		01
		—*—		
248	S2495-8B000-0520	. HOSE ASSY-FUEL SUPPLY TO ENGINE FSO 2808-8B0520	B0001 B0586 NP	
- 248A	S2808-8B0520	. HOSE ASSY-FUEL SUPPLY TO ENGINE ALT FOR AE3663726H0520	B0587 & ON	01
- 248B	AE3663726H0520	. HOSE ASSY-FUEL SUPPLY TO ENGINE ALT FOR S2808-8B0520	B0587 & ON	01
249	AS5174D0808	. UNION		01
250	MS29512-08	. O-RING		01
251	S2495-6-000-0330	. HOSE ASSY-FUEL MOTIVE FLOW TO ENGINE FSO S2808-6-0330	B0001 B0586 NP	
- 251A	S2808-6-0330	. HOSE ASSY-FUEL MOTIVE FLOW TO ENGINE ALT FOR AE3663724G0330	B0587 & ON	01
- 251B	AE3663724G0330	. HOSE ASSY-FUEL MOTIVE FLOW TO ENGINE ALT FOR S2808-6-0330	B0587 & ON	01
252	S2626-1J	. ELBOW		01
253	AN6289J5	. NUT		01
254	MS28773-05	. RETAINER		01
255	MS29512-05	. O-RING		01
256	79C1	. VALVE-FUEL DRAIN 2 LH & 2 RH	V91511	04
- 257	2-010-V835-75	. O-RING	V83259	01
258	MS29513-020	. O-RING 2 LH & 2 RH		04

- ITEM NOT ILLUSTRATED

CESSNA®
MODEL 208
 ILLUSTRATED PARTS CATALOG

A24961



DETAIL A
 FUEL DISTRIBUTION SYSTEM
 FIGURE 02 (SHEET 5)

26161009
 A26163002
 B26161008

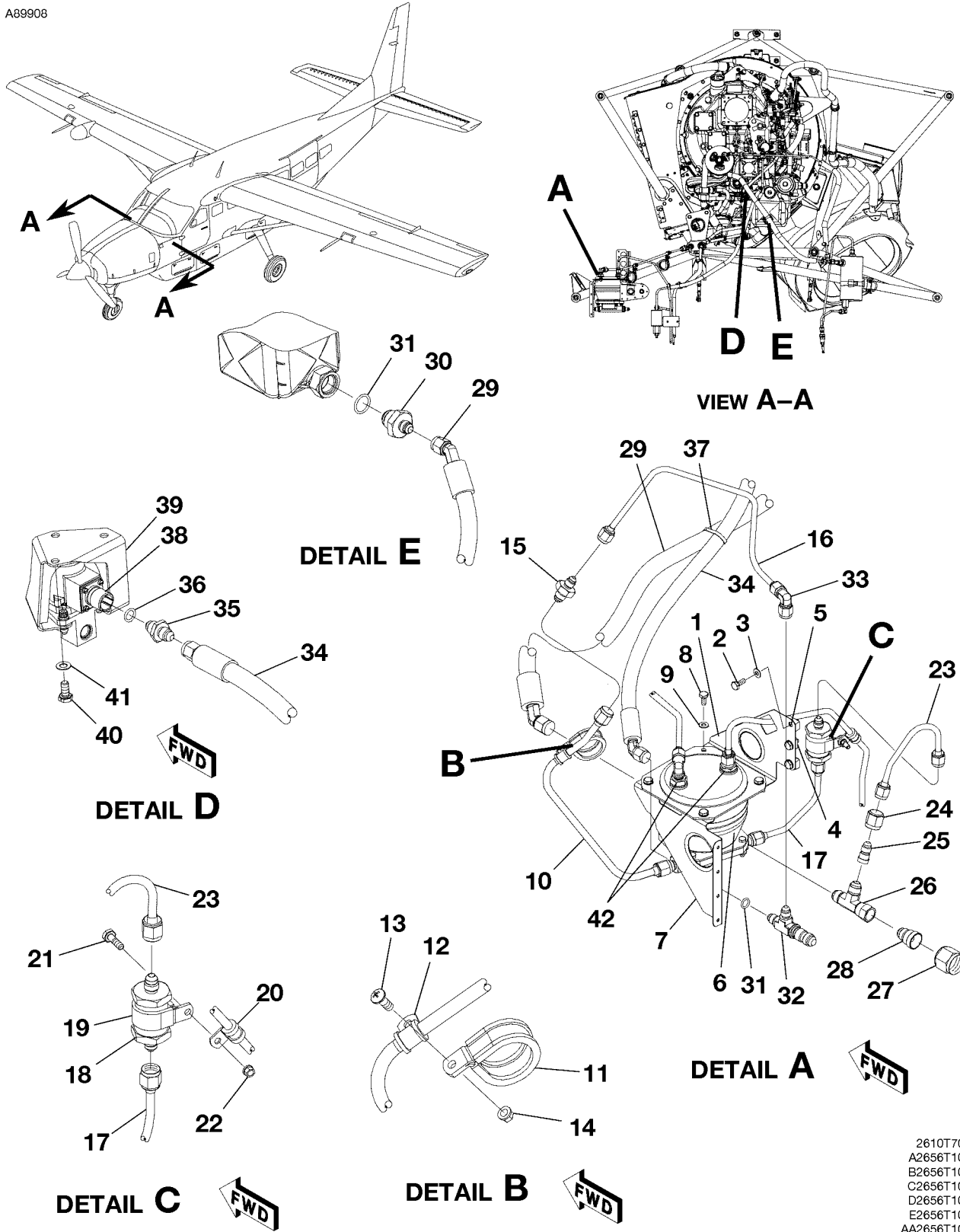
CESSNA®
MODEL 208
ILLUSTRATED PARTS CATALOG

FIG ITEM	PART NUMBER	NOMENCLATURE	UNITS PER ASSY	
			1 2 3 4 5 6 7	
02				
300	2600101-26	. LINE ASSY-FUEL		01
301	2600101-27	. LINE ASSY-FUEL		01
302	AS5174D0606	. UNION		01
303	AS5174-1010	. UNION		01
304	2611195-8	. COVER-FUEL LINE UNION UPPER		01
305	2611195-4	. COVER ASSY-FUEL LINE UNION LWR	B0001 B0040	01
- 306	2611195-14	. COVER ASSY-FUEL LINE UNION LWR	B0041 & ON	01
307	2611195-6	. COVER-FUEL LINE UNION UPPER		01
308	2611195-3	. COVER ASSY-FUEL LINE UNION LWR	B0001 B0040	01
- 309	2611195-13	. COVER ASSY-FUEL LINE UNION LWR	B0041 & ON	01
		ATTACHING PARTS		
310	MS3367-1-9	. STA STRAP		02
		—*—		
311	S2548-4	. HOSE 4.50 IN LG BKI		02
		ATTACHING PARTS		
312	S2357-1	. CLAMP		02
		—*—		
313	MS35489-14	. GROMMET		02
314	2600101-70	. LINE-DRAIN		01
315	2600101-71	. LINE-DRAIN		01
316	S2548-4	. HOSE 2.50 IN LG BKI		02
		ATTACHING PARTS		
317	S2357-1	. CLAMP		02
		—*—		
318	2600101-29	. LINE ASSY-FUEL		01
319	2600101-30	. LINE ASSY-FUEL		01
320	MS21919DG10	. CLAMP		01
		ATTACHING PARTS		
321	MS35207-267	. SCREW		01
- 322	NAS43DD3-16N	. SPACER		01
- 323	MS21044N3	. NUT		01
- 324	AN743-13	. BRACKET		01
		—*—		
325	MS21919WDG10	. CLAMP		01
326	MS21919WDG6	. CLAMP		01
		ATTACHING PARTS		
327	MS35207-264	. SCREW		01
- 328	MS21044N3	. NUT		01
		—*—		
329	MS21047L08	. NUTPLATE		04
330	2601221-1	. COVER-FUEL DRAIN LINE		01
		ATTACHING PARTS		
331	MS35206-244	. SCREW		04 R
331A	AN525-10R7	. SCREW		04 R
		—*—		
332		. CARGO POD INSTALLATION REFER TO 25-52-00 FIGURE 02		RF

- ITEM NOT ILLUSTRATED

CESSNA®
MODEL 208
 ILLUSTRATED PARTS CATALOG

A89908



FUEL ECOLOGY TANK SYSTEM
 FIGURE 03 (SHEET 1)

2610T7004
 A2656T1038
 B2656T1038
 C2656T1038
 D2656T1038
 E2656T1038
 AA2656T1038

CESSNA®
MODEL 208
ILLUSTRATED PARTS CATALOG

FIG ITEM	PART NUMBER	NOMENCLATURE	UNITS	
			PER ASSY	
03		FUEL ECOLOGY TANK SYSTEM	B5000	& ON RF
-				
1	2656001-18	. BRACKET ASSY-FUEL ECOLOGY TANK		01
		. ATTACHING PARTS		
2	AN3-4A	. BOLT		03
3	NAS1149C0332R	. WASHER		03
		. * _		
4	MS21059L3	. . NUTPLATE		01
- 4A	NAS1791A3-1	. . NUTPLATE-ALT FOR MS21059L3		01
5	MS21062L3	. . NUTPLATE		04
6		. FUEL ECOLOGY TANK-REFER TO NOTE 1 V00198		RF
7	2656001-21	. BRACKET ASSY-FUEL ECOLOGY TANK FSO 2656001-28	B5000	B5175 NP
- 7A	2656001-28	. BRACKET ASSY-FUEL ECOLOGY TANK	B5176	& ON 01
- 7A	2695014-1	. BRACKET ASSY-FUEL ECOLOGY TANK MOD REFER TO NOTE 2	B5000	B5061 01 R
		. ATTACHING PARTS		
8	AN3-4A	. BOLT		04
9	NAS1149C0332R	. WASHER		04
		. * _		
10	2656001-22	. TUBE ASSY-FUEL ECOLOGY		01
11	MS21919WDG18	. CLAMP		01
12	MS21919WDG5	. CLAMP		01
13	MS35207-263	. SCREW		01
14	MS21042L3	. NUT		01
15	AS5174J0504	. REDUCER V81343		01
16	2656001-26	. TUBE ASSY-FUEL ECOLOGY		01
17	2656001-23	. TUBE ASSY-FUEL ECOLOGY		01
18	S2218-5	. VALVE-SWING CHECK		01
19	MS21919WDG15	. CLAMP		01
20	MS21919WDG4	. CLAMP		01
21	AN3-5A	. BOLT		01
22	MS21042L3	. NUT		01
23	2656001-12	. TUBE ASSY-FUEL ECOLOGY		01
24	AN818-6J	. NUT		01
25	NAS1564J6-4	. REDUCER		01
26	6R6X-SS	. TEE V30780		01
27	AN818-10J	. NUT		01
28	NAS1564J10-6	. REDUCER		01
29	AE6208G0254-203	. HOSE ASSY-FUEL SUPPLY V00624		01
30	AS5174J1006	. REDUCER V81343		01
31	M83248/2-910	. PACKING		01
32	AS1033J060404	. FITTING		01
33	AS4407J0404	. ELBOW ASSY		01
34	S2808-4A0265	. HOSE ASSY		01
35	AS5174J0404	. UNION		02
36	M83248/2-904	. O-RING		01
37	S2209-5	. TIE		AR
38		. MOTIVE FLOW SHUT OFF VALVE-REFER TO NOTE 1 V00198		RF
39		. BRACKET-MOTIVE FLOW SHUT OFF VALVE-REFER TO NOTE 1 V00198		RF
		. ATTACHING PARTS		
40	AN4H4A	. BOLT		03
41	NAS1149C0432R	. WASHER		03
		. * _		
42		. OIL BREATHER AND ENGINE DRAINS INSTALLATION-REFER TO 71-70-00 FIGURE 02.		RF

NOTE 1—ITEM SUPPLIED WITH ENGINE. REFER TO MAINTENANCE MANUAL FOR SUPPLIERS PUBLICATION LIST

NOTE 2—AIRPLANES -B5000 THRU -B5061 MODIFIED BY CAB-71-02.

R

CESSNA®
MODEL 208
ILLUSTRATED PARTS CATALOG

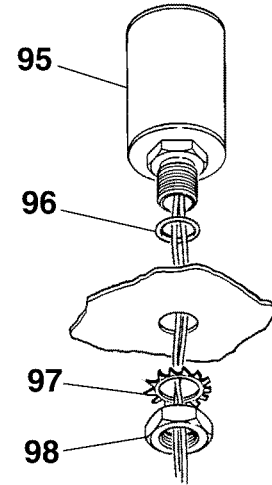
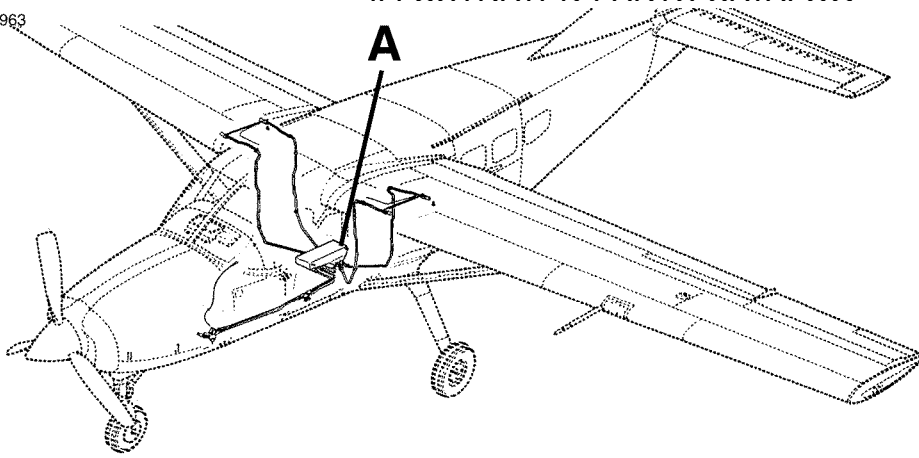
FIG ITEM	PART NUMBER	NOMENCLATURE	UNITS PER ASSY		
			1	2	3
01		FUEL RESERVOIR COMPONENTS			
-			0001	& ON	RF
			B0001	& ON	
- 1	2616017-1	. RESERVOIR ASSY-FUEL FSO 2616017-41	0001	0048	NP
			0050	0050	
- 1A	2616017-13	. RESERVOIR ASSY-FUEL FSO 2616017-41	0049	0049	NP
			0051	0106	
- 2	2616017-19	. RESERVOIR ASSY-FUEL FSO 2616017-41	0107	0112	NP
			B0001	B0018	
- 3	2616017-34	. RESERVOIR ASSY-FUEL FSO 2616017-41	0113	0154	NP
			B0019	B0179	
- 4	2616017-41	. RESERVOIR ASSY-FUEL	0155	& ON	01
			B0180	& ON	
5	NAS1474A4	. . . NUTPLATE	0001	0106	14
- 6	NAS1474A3	. . . NUTPLATE	0107	& ON	14
			B0001	& ON	
7	NAS1473A3	. . . NUTPLATE			08
- 7A	NAS1473A3K	. . . NUTPLATE ALT FOR NAS1473A3			08
- 7B	NAS1473A3N	. . . NUTPLATE ALT FOR NAS1473A3			08
8	2616017-42	. . . COVER ASSY-ACCESS	0001	0106	01
- 9	2616017-28	. . . COVER ASSY-ACCESS	0101	& ON	01
			B0001	& ON	
		ATTACHING PARTS			
10	2616017-6	. . . GASKET	0001	0106	01
- 11	2616017-27	. . . GASKET	0107	& ON	01
			B0001	& ON	
12	NAS1149D0463K	. . . WASHER	0001	0106	14
- 13	NAS1149D0363K	. . . WASHER	0107	& ON	14
			B0001	& ON	
14	AN4-7A	. . . BOLT	0001	0106	14
- 15	AN3-5A	. . . BOLT	0107	& ON	14
			B0001	& ON	
		—*—			
16	9912071-1	. . . VALVE-SWING CHECK FSO 2616031-1	0001	0154	NP
			B0001	B0179	
- 16A	2616031-1	. . . VALVE ASSY-SWING CHECK	0155	& ON	01
			B0180	& ON	
17	2616017-30	. . . STOP BRACKET-SWING CHECK VALVE FSO 2616031-1 REFER TO NOTE 2	0107	0154	NP
			B0001	B0179	
		ATTACHING PARTS			
18	NAS1149D0363K	. . . WASHER	0001	0154	02
			B0001	B0179	
19	MS35207-266	. . . SCREW REFER TO NOTE 1	0001	0106	02
- 20	AN3-5A	. . . BOLT REFER TO NOTE 2	0107	0154	02
			B0001	B0179	
		—*—			
21	2616031-1	. . . VALVE ASSY-FUEL RESERVOIR	0155	& ON	01
			B0180	& ON	
		ATTACHING PARTS			
22	AN3-5A	. . . BOLT	0155	& ON	02
			B0180	& ON	
23	NAS1149D0363K	. . . WASHER	0155	& ON	02
			B0180	& ON	
		—*—			
24	9912071-2	. . . VALVE	0155	& ON	01
			B0180	& ON	
25	MS24693-S27	. . . SCREW	0155	& ON	02
			B0180	& ON	
26	NAS1149FN632P	. . . WASHER	0155	& ON	02
			B0180	& ON	
27	MS21045-06	. . . NUT	015	& ON	02
			B0180	& ON	
28	967B-5	. VALVE-FUEL DRAIN W/O CARGO POD V91511			01
29	M83248/1-020	. O-RING W/O CARGO POD			01
30		. BRACKET-RESERVOIR MOUNTING REFER TO 53-12-00 FIGURE 01			RF
31	1613-00-1	. PUMP-FUEL BOOST ELEC FSO 2C6-8 V09445			NP
- 32	2C6-8	. PUMP-FUEL BOOST	0051	& ON	01
			B0001	B4999	
- 32A	2C6-10	. PUMP-FUEL BOOST	B5000	& ON	01

NOTE 1—AIRPLANES NOT INCORPORATING SK208-25.

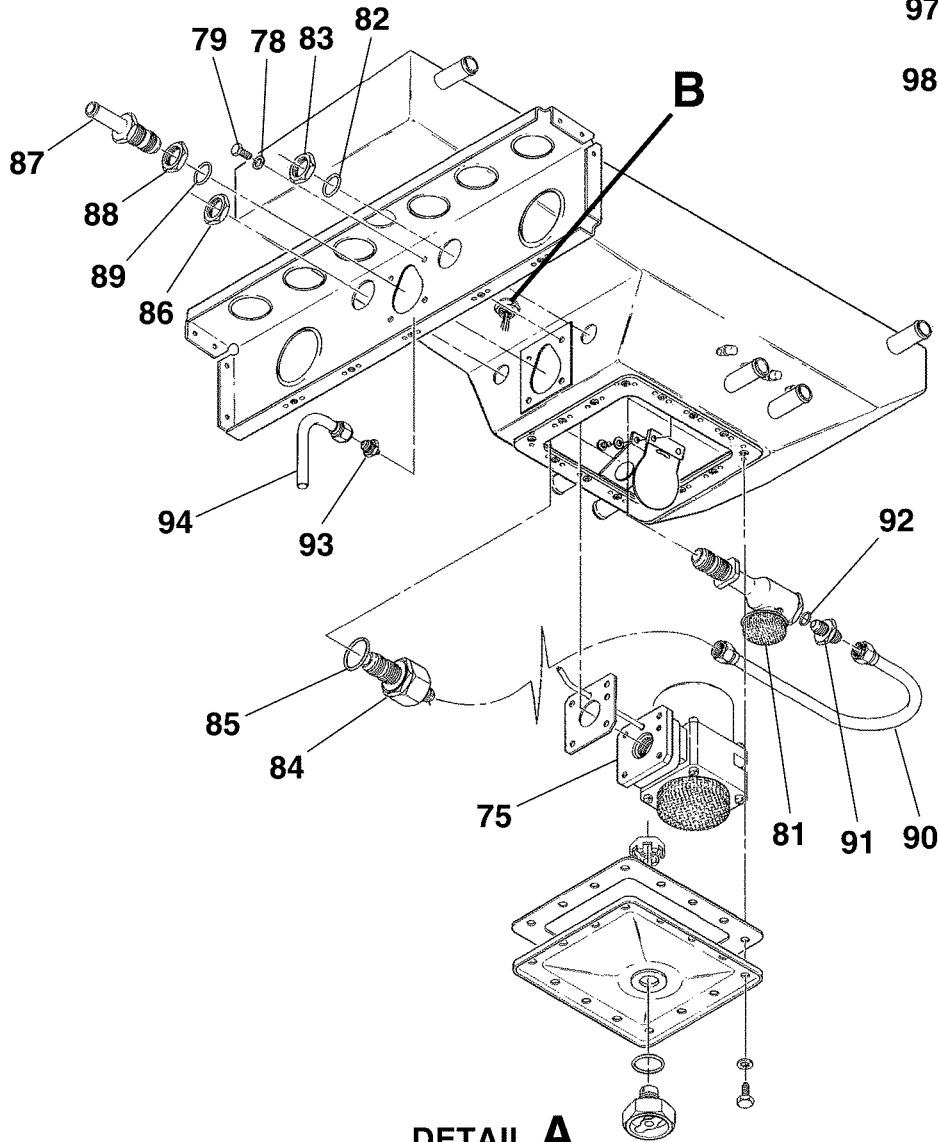
NOTE 2—AIRPLANES -0001 THRU -0154 AND -0001 THRU -0106 INCORPORATING SK208-25.

CESSNA®
MODEL 208
 ILLUSTRATED PARTS CATALOG

A24963



DETAIL B



DETAIL A

FUEL RESERVOIR COMPONENTS
 FIGURE 01 (SHEET 2)

26161013
 A26163004
 B26161012

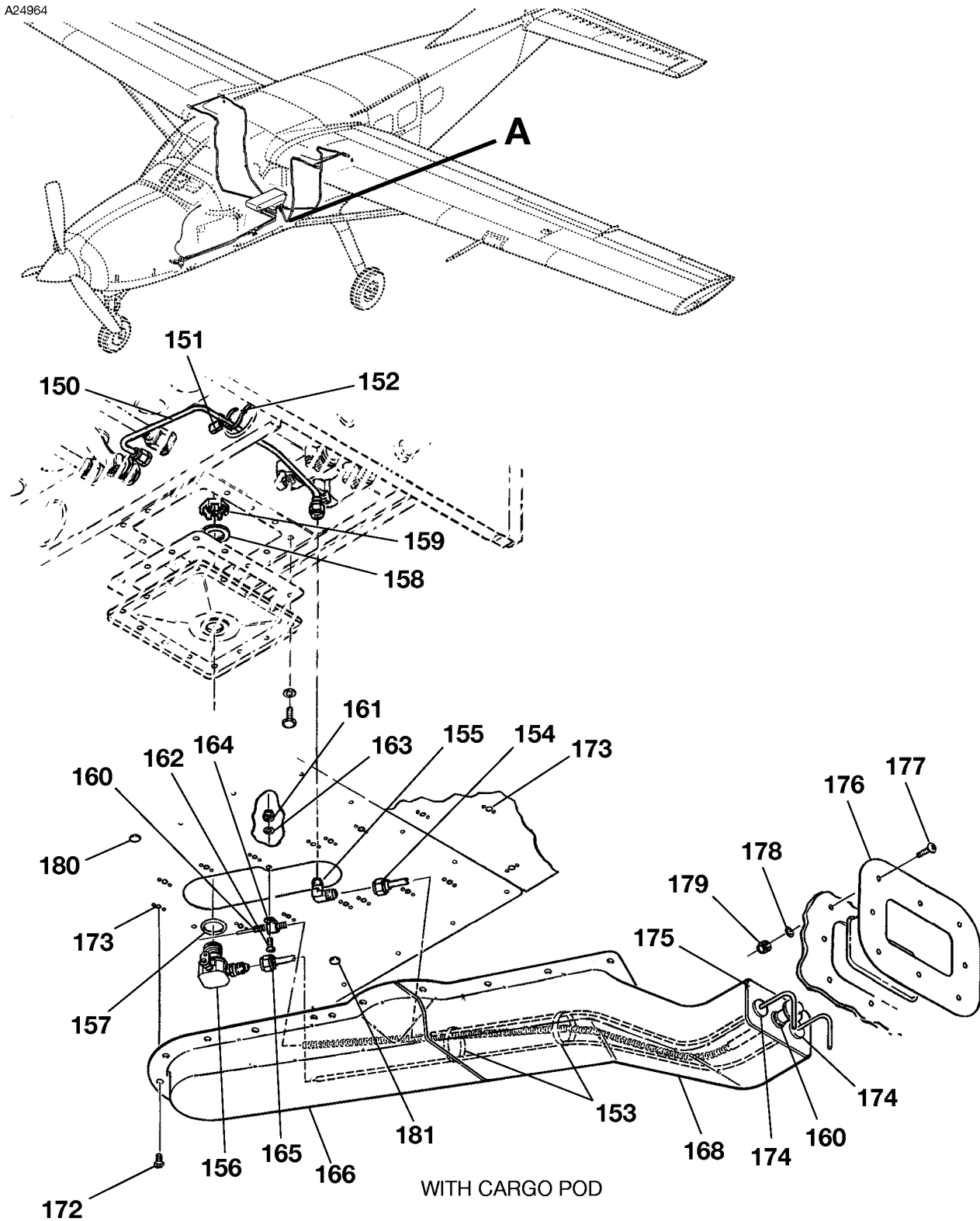
CESSNA®
MODEL 208
ILLUSTRATED PARTS CATALOG

FIG ITEM	PART NUMBER	NOMENCLATURE	UNITS PER ASSY		
			1	2	3
01					
75	2696001-1	. GASKET USED WITH 1613-00-1 PUMP ONLY	0001	0106	01
- 76	2616024-2	. GASKET USED WITH 2C6-8 PUMP ONLY	0051	0106	01
- 77	2616024-3	. GASKET	0107	& ON	01
			B0001	& ON	
78	NAS1149F0432P	. WASHER			04
79	AN4H4A	. BOLT	0001	0106	04
- 80	AN4H5A	. BOLT	0107	& ON	04
			B0001	& ON	
81	68E101-14	. PUMP-EJECTOR V82829	0001	& ON	01
			B0001	B4999	
- 81A	68E101-19	. PUMP-EJECTOR V82829	B5000	& ON	01
		ATTACHING PARTS			
82	NAS1596-08	. O-RING			01
83	AS5178W08	. NUT			01
		—*—			
84	6C172	. CHECK VALVE-FUEL V82829			01
		ATTACHING PARTS			
85	M83248/1-212	. O-RING			01
86	AS5178W08	. NUT			01
		—*—			
87	AN807-8D	. ADAPTER			01
88	AS5178W08	. NUT			01
89	NAS1596-08	. O-RING			01
90	2600101-12	. LINE ASSY			01
91	AS5174D0606	. UNION			01
92	MS29512-06	. O-RING			01
93	AS5194J0402	. ADAPTER REFER TO NOTE 1	0001	0106	01
94	2600101-16	. LINE ASSY-DRAIN W/O CARGO POD REFER TO NOTE 1	0001	0106	01
95	GF5500-82	. SWITCH-LOW FUEL LEVEL V58918			01
		ATTACHING PARTS			
96	MS28778-6	. O-RING			01
97	MS35335-38	. WASHER			01
98	AN924D6	. NUT			01
		—*—			

NOTE 1—THESE PARTS ARE NOT REQUIRED WHEN ALTERNATE (2C6-8) FUEL BOOST PUMP IS INSTALLED

CESSNA®
MODEL 208
ILLUSTRATED PARTS CATALOG

A24964



DETAIL A

FUEL RESERVOIR COMPONENTS
FIGURE 01 (SHEET 3)

26161013
A26162008

CESSNA®
MODEL 208
ILLUSTRATED PARTS CATALOG

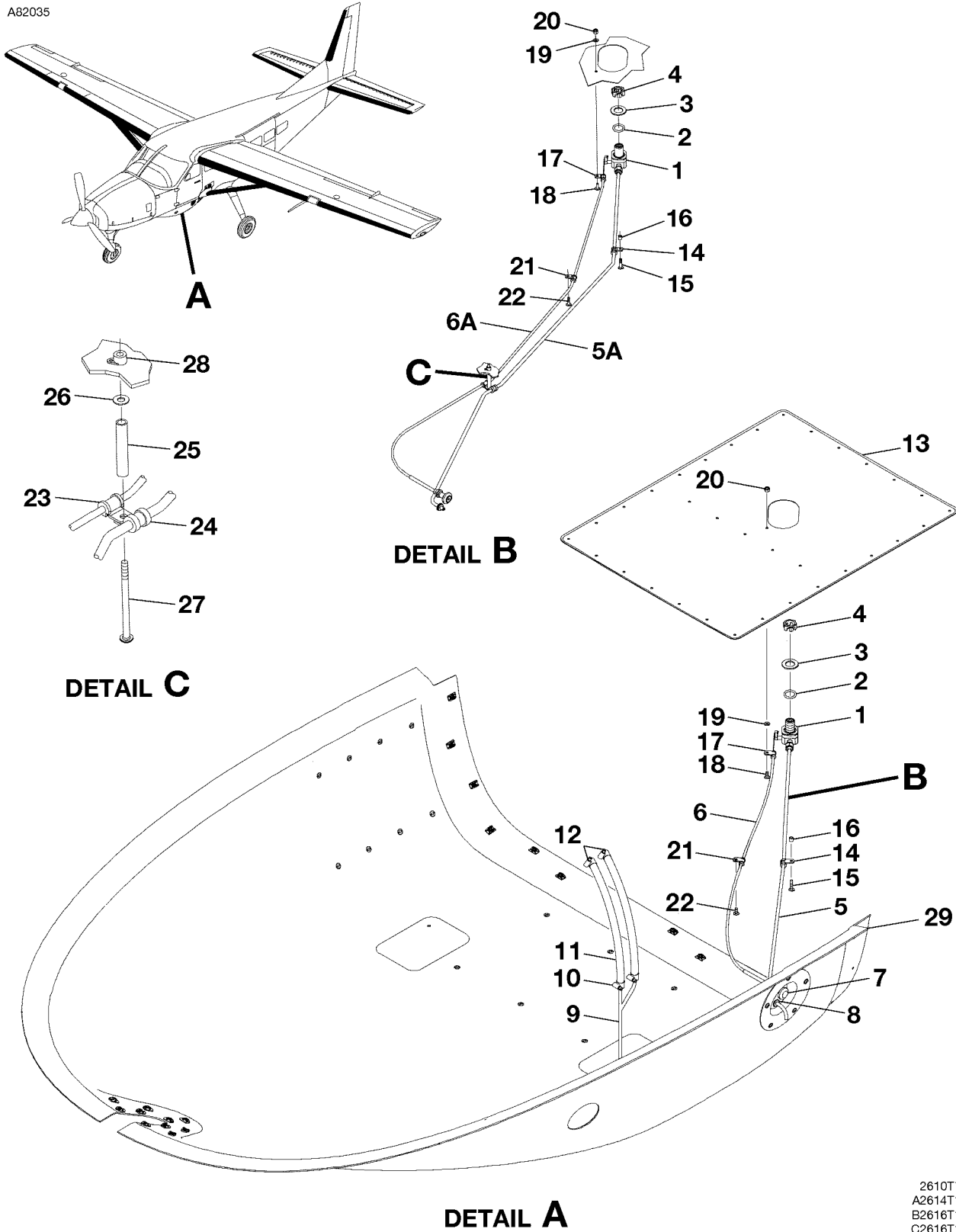
FIG ITEM	PART NUMBER	NOMENCLATURE	UNITS PER ASSY	
			1 2 3 4 5 6 7	
01				
150	2600101-61	. LINE ASSY-DRAIN WITH CARGO POD REFER TO NOTE 1		01
151	S4132-1	. ANCHOR WITH CARGO POD REFER TO NOTE 1		01
152	S2209-1	. STA STRAP WITH CARGO POD REFER TO NOTE 1		01
153	S2209-1	. STA STRAP WITH CARGO POD		02
154	2600101-62	. LINE ASSY-DRAIN WITH CARGO POD REFER TO NOTE 1		01
155	AS1034D0404	. ELBOW		01 R
156	180C4	. VALVE ASSY-FUEL DRAIN WITH CARGO POD V91511		01
157	M83248/1-021	. O-RING WITH CARGO POD		01
158	NAS1149D1290K	. WASHER WITH CARGO POD		01
159	856A2	. NUT-VALVE WITH CARGO POD V91511		01
160	S1239-49	. CONTROL ASSY-FUEL RESERVOIR DRAIN VALVE WITH CARGO POD ATTACHING PARTS		01
161	MS21044N3	. NUT WITH CARGO POD		01
162	MS35207-262	. SCREW WITH CARGO POD		01
163	NAS1149F0332P	. WASHER WITH CARGO POD		01
164	AN742D3	. CLAMP WITH CARGO POD		01
		—		
165	2600101-63	. LINE ASSY-FUEL RESERVOIR DRAIN WITH CARGO POD		01
166	2601210-2	. COVER-FUEL DRAIN INBD WITH CARGO POD FSO 2601210-7 REFER TO NOTE 2	0001 0085	01
- 167	2601210-7	. COVER-FUEL DRAIN INBD WITH CARGO POD	0086 & ON B0001 & ON	01
168	2601210-1	. COVER- FUEL DRAIN OUTBD WITH CARGO FSO 2601210-6 REFER TO NOTE 2	0001 0085	01
- 169	2601210-6	. COVER-FUEL DRAIN OUTBD WITH CARGO POD FSO 2601343-2	0086 0106	NP
- 170	2601343-1	. COVER-FUEL DRAIN OUTBD WITH CARGO POD FSO 2601343-2	0107 0107 B0001 B0184	NP
- 171	2601343-2	. COVER-FUEL DRAIN OUTBD WITH CARGO POD	0158 & ON B0185 & ON	01
172	MS35207-262	. SCREW WITH CARGO POD		21
173	MS21047L3	. NUTPLATE WITH CARGO POD		21
174	MS35489-6	. GROMMET WITH CARGO POD		02
175	2601210-4	. COVER-FUEL DRAIN WITH CARGO POD FSO 2601210-8	0001 0261 B0001 B0610	NP
176	2601210-3	. COVER-FUEL DRAIN OUTBD CARGO POD	0001 0261 B0001 B0610	01
- 176A	2601210-9	. COVER ASSY-FUEL DRAIN WITH CARGO POD	0262 & ON B0611 & ON	01
- 176B	2601210-8	. COVER-FUEL DRAIN WITH CARGO POD		01
- 176C	2601210-3	. COVER-FUEL DRAIN OUTBD CARGO POD		01
177	AN525-10R8	. SCREW WITH CARGO POD		08
178	NAS1149F0332P	. WASHER WITH CARGO POD		08
179	MS21044N3	. NUT WITH CARGO POD		08
180	CM2692-14J1S	. PLUG BUTTON WITH CARGO POD		01
181	CM2692-8J1S	. PLUG BUTTON WITH CARGO POD		01

NOTE 1—THESE PARTS ARE NOT REQUIRED WHEN ALTERNATE (2C6-8) FUEL BOOST PUMP IS INSTALLED

NOTE 2—WHEN INITIALLY ORDERING FOR SPARES PRIOR TO -0086 COVERS 2601210-7 AND 2601343-2 MUST BE ORDERED.

CESSNA®
MODEL 208
 ILLUSTRATED PARTS CATALOG

A82035



TKS FUEL SUMP INSTALLATION - FAIRING
 FIGURE 01 (SHEET 1)

2610T7002
 A2614T1442
 B2616T1042
 C2616T1042

**CESSNA®
MODEL 208
ILLUSTRATED PARTS CATALOG**

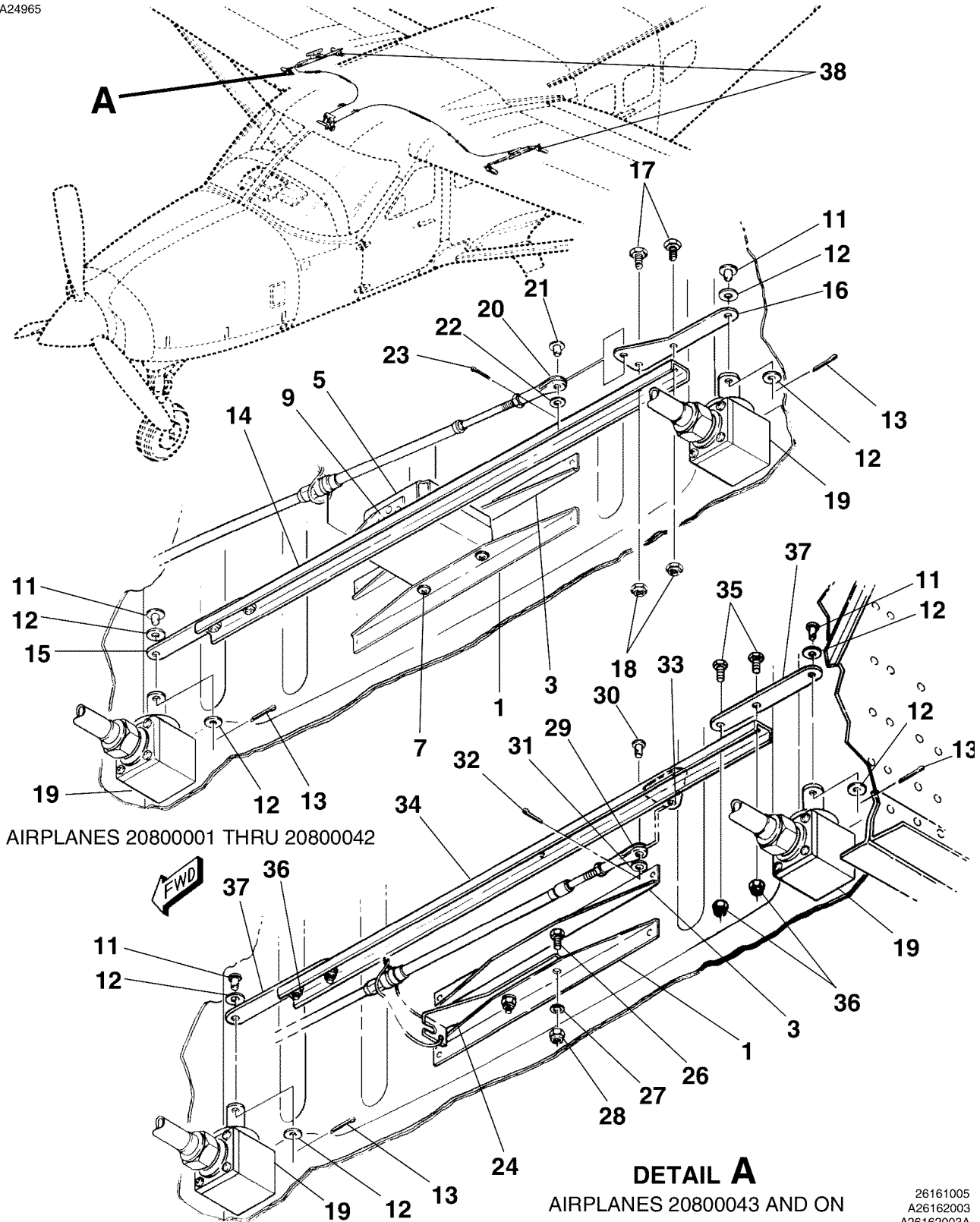
FIG ITEM	PART NUMBER	NOMENCLATURE	UNITS PER ASSY		
			1	2	3
01		TKS FUEL SUMP INSTALLATION - FAIRING REFER TO NOTE 1			
-			0518	& ON	RF R
			B2000	& ON	
1	180C4	. VALVE ASSY V91511			01
		. ATTACHING PARTS			
2	M83248/1-021	. O-RING			01
3	NAS1149D1290K	. WASHER			01
4	856A2	. NUT V91511			01
		. *			
5	2616033-4	. TUBE ASSY-SUMP 208			01
5A	2616033-8	. TUBE ASSY-SUMP 208B	B2000	& ON	01
6	S1212-37	. CONTROL-208			01
6A	S1212-66	. CONTROL-208B	B2000	& ON	01
7	S1979-1	. KNOB ASSY			01
8	MS35489-6	. GROMMET			01
9	2616033-5	. DRAIN TUBE ASSY - WELDED			01
10	AN737TW22	. CLAMP			02
11	S2548-4-6.00	. HOSE			01
12		. FUEL DISTRIBUTION SYSTEM REFER TO 28-21-00 FIGURE 01			RF
13	2616033-3	. SKIN PANEL - REMOVABLE			01
14	MS21919WDG4	. CLAMP			01
		. ATTACHING PARTS			
15	AN525-10R14	. SCREW			01
16	NAS43DD3-18FC	. SPACER			01
		. *			
17	MS21919WDG3	. CLAMP			01
		. ATTACHING PARTS			
18	AN525-10R8	. SCREW			01
19	NAS1149F0332P	. WASHER			01
20	MS21044N3	. NUT			01
		. *			
21	MS21919WDG3	. CLAMP			01
		. ATTACHING PARTS			
22	AN525-10R11	. SCREW			01
		. *			
23	MS21919WDG3	. CLAMP	B2000	& ON	01
24	MS21919WDG4	. CLAMP	B2000	& ON	01
		. ATTACHING PARTS			
25	NAS43DD3-109FC	. SPACER	B2000	& ON	01
26	NAS1149F0332P	. WASHER	B2000	& ON	01
27	MS35207-273	. SCREW	B2000	& ON	01
28	MS21073L3	. NUTPLATE	B2000	& ON	01
		. *			
29		. TKS FAIRING INSTALLATION REFER TO 53-30-01 FIGURE 03			RF

NOTE 1—THIS FIGURE CONTAINS PRODUCTION PARTS AND ASSEMBLIES INSTALLED WITH THE TKS AND/OR LOW AIRSPEED AWARENESS (LAA) SYSTEMS. TO ORDER PARTS FOR SERIAL SPECIFIC CONFIGURATIONS/INSTALLATIONS MODIFIED BY SK208-174, SK208-175, SK208-179, SK208-180, CAB09-9, AND CAB08-7, PLEASE REFER TO THE LATEST APPLICABLE REVISION OF THE SPECIFIC CARAVAN BULLETIN (CAB) AND/OR SERVICE KIT (SK) FOR DETAILED INFORMATION.

R

CESSNA®
MODEL 208
 ILLUSTRATED PARTS CATALOG

A24965



AIRPLANES 20800001 THRU 20800042

DETAIL A
 AIRPLANES 20800043 AND ON

FUEL SELECTOR CONTROLS
 FIGURE 01 (SHEET 1)

26161005
 A26162003
 A26162003A

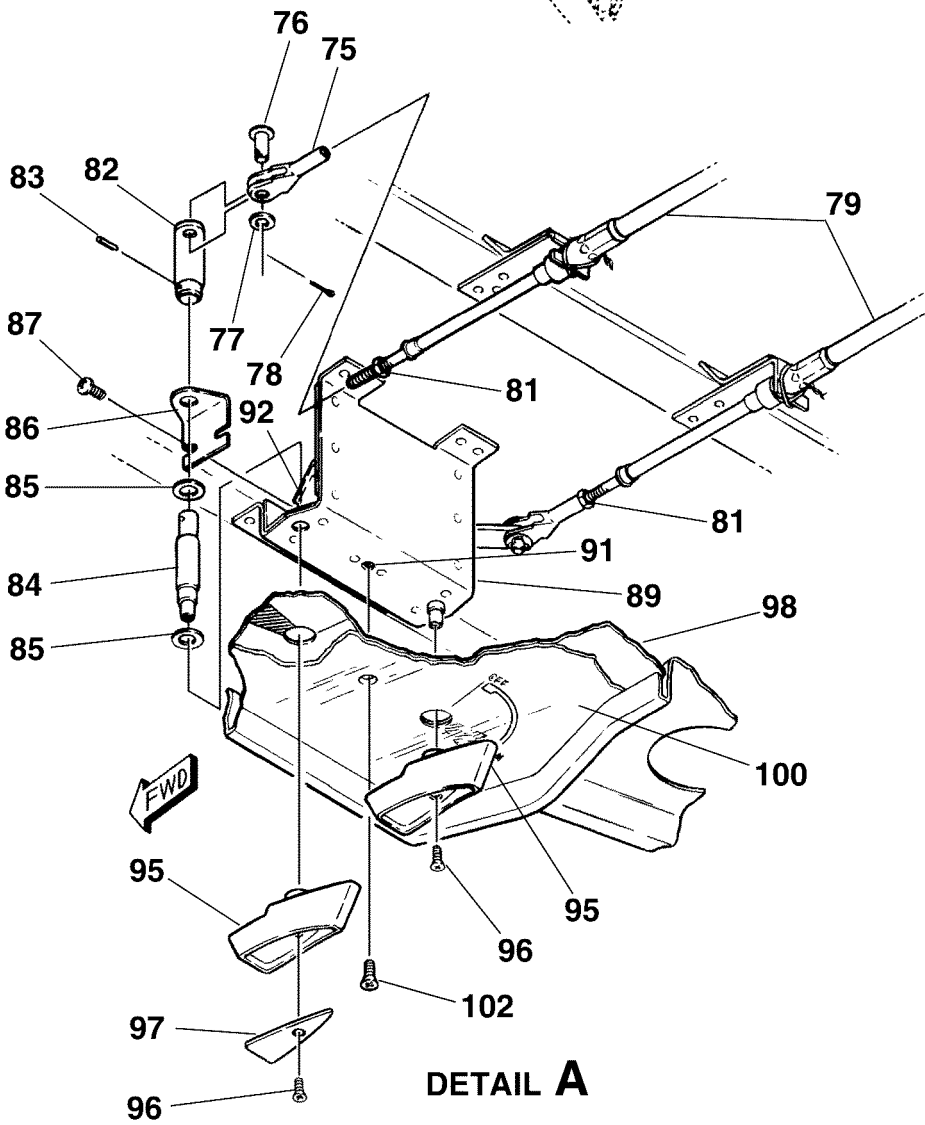
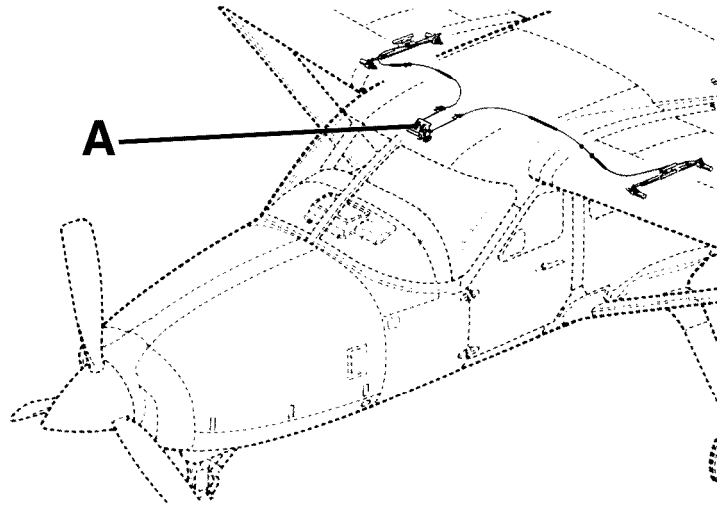
CESSNA®
MODEL 208
 ILLUSTRATED PARTS CATALOG

FIG ITEM	PART NUMBER	NOMENCLATURE	UNITS PER ASSY		
			1	2	3
01		FUEL SELECTOR CONTROLS	0001	& ON	RF R
-			B0001	& ON	
1	2611140-4	. BRACKET LWR RH			01
- 2	2611140-2	. BRACKET LWR LH			01
3	2611140-3	. BRACKET UPR RH			01
- 4	2611140-1	. BRACKET UPR LH			01
5	2616013-1	. SUPPORT ASSY RH	0001	0042	01
- 6	2616013-2	. SUPPORT ASSY LH	0001	0042	01
		ATTACHING PARTS			
7	NAS525-10R7	. SCREW	0001	0042	04
		—*—			
- 8	MS21073L3	. NUTPLATE	0001	0042	04
9	2616012-1	. SUPPORT-CONTROL CABLE RH	0001	0042	01
- 10	2616012-2	. SUPPORT-CONTROL CABLE LH	0001	0042	01
11	MS20392-2C9	. PIN			02
12	NAS1149F0332P	. WASHER			04
13	MS24665-132	. COTTER PIN			02
14	2616023-15	. CHANNEL			01
15	2616023-16	. LINK FWD			01
16	2616023-17	. LINK AFT			01
		ATTACHING PARTS			
17	AN3-4A	. BOLT			02
18	MS20365-1032	. NUT			02
		—*—			
19		. FUEL SHUTOFF VALVE REFER TO 28-23-01 FIGURE 01			RF
20	1452535-3	. TERMINAL-CONTROL CABLE			02
		ATTACHING PARTS			
21	MS20392-3C11	. PIN			01
22	NAS1149F0432P	. WASHER			01
23	MS24665-132	. PIN-COTTER			01
		—*—			
24	2616029-2	. SUPPORT-CONTROL CABLE RH	0043	0084	01
- 24A	2616029-6	. SUPPORT-CONTROL CABLE RH	0085	& ON	01
- 25	2616029-1	. SUPPORT-CONTROL CABLE LH	0043	0084	01
- 25A	2616029-5	. SUPPORT-CONTROL CABLE LH	0085	& ON	01
		ATTACHING PARTS			
26	AN3-3A	. BOLT	0043	& ON	02
27	NAS1149F0332P	. WASHER	0043	& ON	02
28	MS21045L3	. NUT	0043	& ON	02
		—*—			
29	1452535-3	. TERMINAL-CONTROL CABLE	0043	& ON	02
		ATTACHING PARTS			
30	MS20392-3C15	. PIN	0043	& ON	01
31	NAS1149F0432P	. WASHER	0043	& ON	01
32	MS24665-132	. PIN-COTTER	0043	& ON	01
		—*—			
33	2616029-3	. SUPPORT PLATE-CONTROL CABLE	0043	& ON	02
34	2616023-18	. CHANNEL	0043	& ON	02
		ATTACHING PARTS			
35	AN3-4A	. BOLT	0043	& ON	04
36	MS21044N3	. NUT	0043	& ON	04
		—*—			
37	2616023-16	. LINK	0043	& ON	04
38		. FUEL OFF WARNING SYSTEM REFER TO 28-42-01 FIGURE 01			RF

- ITEM NOT ILLUSTRATED

CESSNA®
MODEL 208
ILLUSTRATED PARTS CATALOG

A24966



FUEL SELECTOR CONTROLS
FIGURE 01 (SHEET 2)

26161005
A26162007

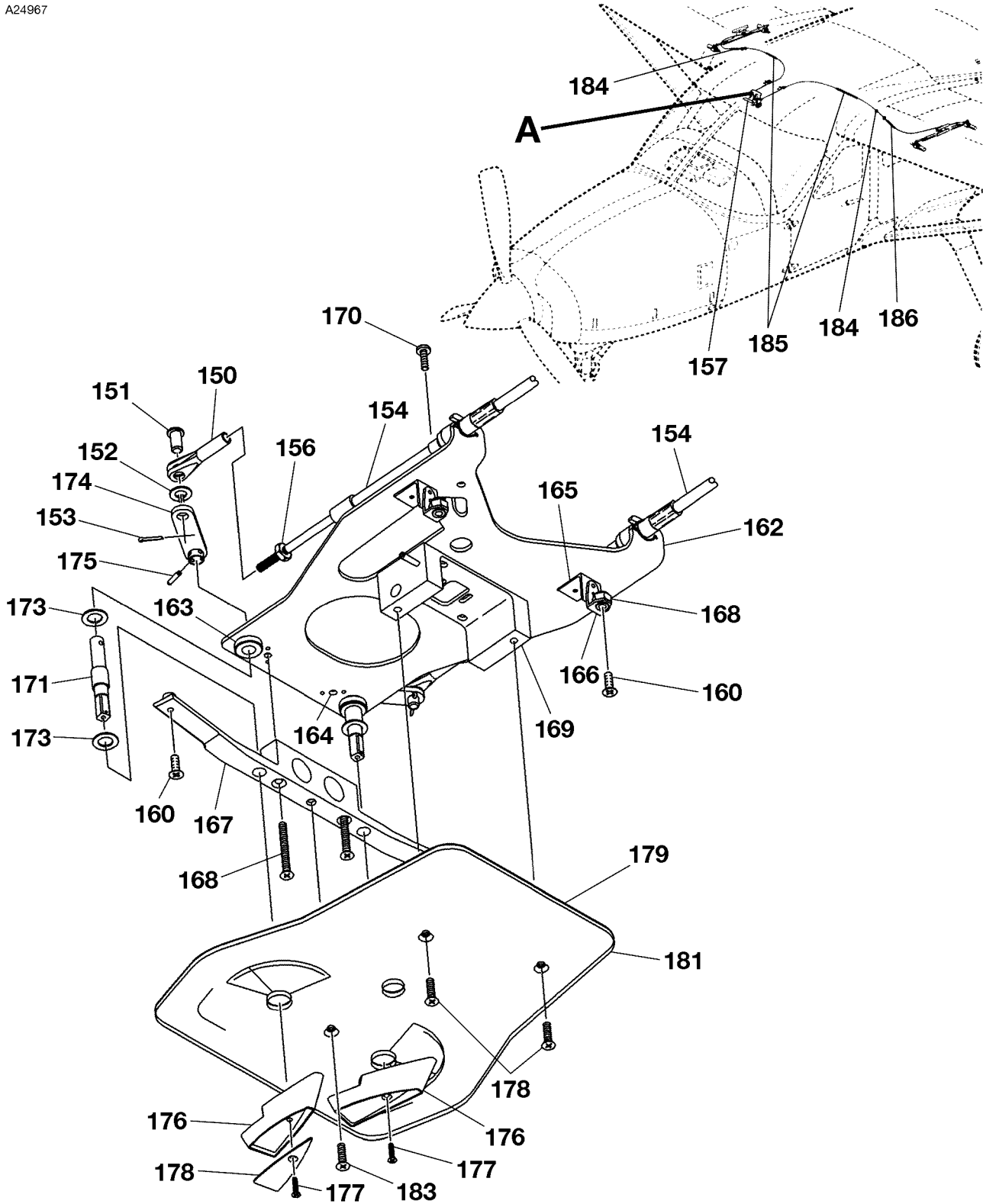
CESSNA®
MODEL 208
ILLUSTRATED PARTS CATALOG

FIG ITEM	PART NUMBER	NOMENCLATURE	UNITS PER ASSY		
			1	2	3
01					
75	1452535-2	. TERMINAL-CONTROL CABLE	0001	0223	02
		ATTACHING PARTS	B0001	B0326	
76	MS20392-3C11	. PIN	0001	0223	01
			B0001	B0326	
77	NAS1149F0432P	. WASHER	0001	0223	01
			B0001	B0326	
78	MS24665-132	. PIN-COTTER	0001	0223	01
			B0001	B0326	
		—*—			
79	C299516-0101	. CONTROL-FUEL SELECTOR	0001	0223	02
- 80	C299516-0102	. CONTROL-FUEL SELECTOR	B0001	B0326	02
81	AN315-3R	. . NUT			02
82	1516212-17	. LEVER ASSY LH & RH	0001	0223	01
			B0001	B0326	
		ATTACHING PARTS			
83	NAS561-3-7	. PIN-SPRING	0001	0223	01
			B0001	B0326	
		—*—			
84	1516212-16	. SHAFT	0001	0223	02
			B0001	B0326	
85	NAS1149F0532P	. WASHER	0001	0223	04
			B0001	B0326	
86	2616023-4	. RETAINER	0001	0223	02
			B0001	B0326	
		ATTACHING PARTS			
87	MS35207-262	. SCREW	0001	0223	02
			B0001	B0326	
		—*—			
- 88	2616023-5	. BRACKET ASSY-SELECTOR HANDLE	0001	0223	01
			B0001	B0326	
89	2616023-6	. . BRACKET	0001	0046	01
- 90	2616023-19	. . BRACKET	0047	0223	01
			B0001	B0326	
91	MS21047L3	. . NUTPLATE	0001	0223	01
			B0001	B0326	
92	2616023-7	. . BRACKET ASSY-END LH	0001	0223	01
			B0001	B0326	
- 93	2616023-8	. . BRACKET ASSY-END RH	0001	0223	01
			B0001	B0326	
- 94	MS21069L3	. . . NUTPLATE	0001	0223	04
			B0001	B0326	
95	1516033-1	. KNOB ASSY-FUEL SELECTOR	0001	0223	02
			B0001	B0326	
		ATTACHING PARTS			
96	LP22F40P8	. SCREW V03038	0001	0223	01
			B0001	B0326	
		—*—			
97	1516033-3	. . COVER-KNOB	0001	0223	01
			B0001	B0326	
98	2606030-15	. PLATE ASSY-FUEL SELECT PANEL	0001	0223	01
			B0001	B0326	
- 99		. PLATE ASSY-FUEL SELECT PANEL USED WITH . OXYGEN REFER TO 35-10-00 FIGURE 01	0001	0223	RF
			B0001	B0326	
100	2606030-5	. GLASS ASSY-FUEL SELECT PANEL	0001	0223	01
			B0001	B0326	
- 101		. GLASS ASSY-FUEL SELECT PANEL USED WITH . OXYGEN REFER TO 35-10-00 FIGURE 01	0001	0223	RF
			B0001	B0326	
		ATTACHING PARTS			
102	MS24694-S52	. SCREW	0001	0223	06
			B0001	B0326	
		—*—			

- ITEM NOT ILLUSTRATED

CESSNA®
MODEL 208
ILLUSTRATED PARTS CATALOG

A24967



DETAIL A

FUEL SELECTOR CONTROLS
FIGURE 01 (SHEET 3)

2616R1005
A2616R2007A

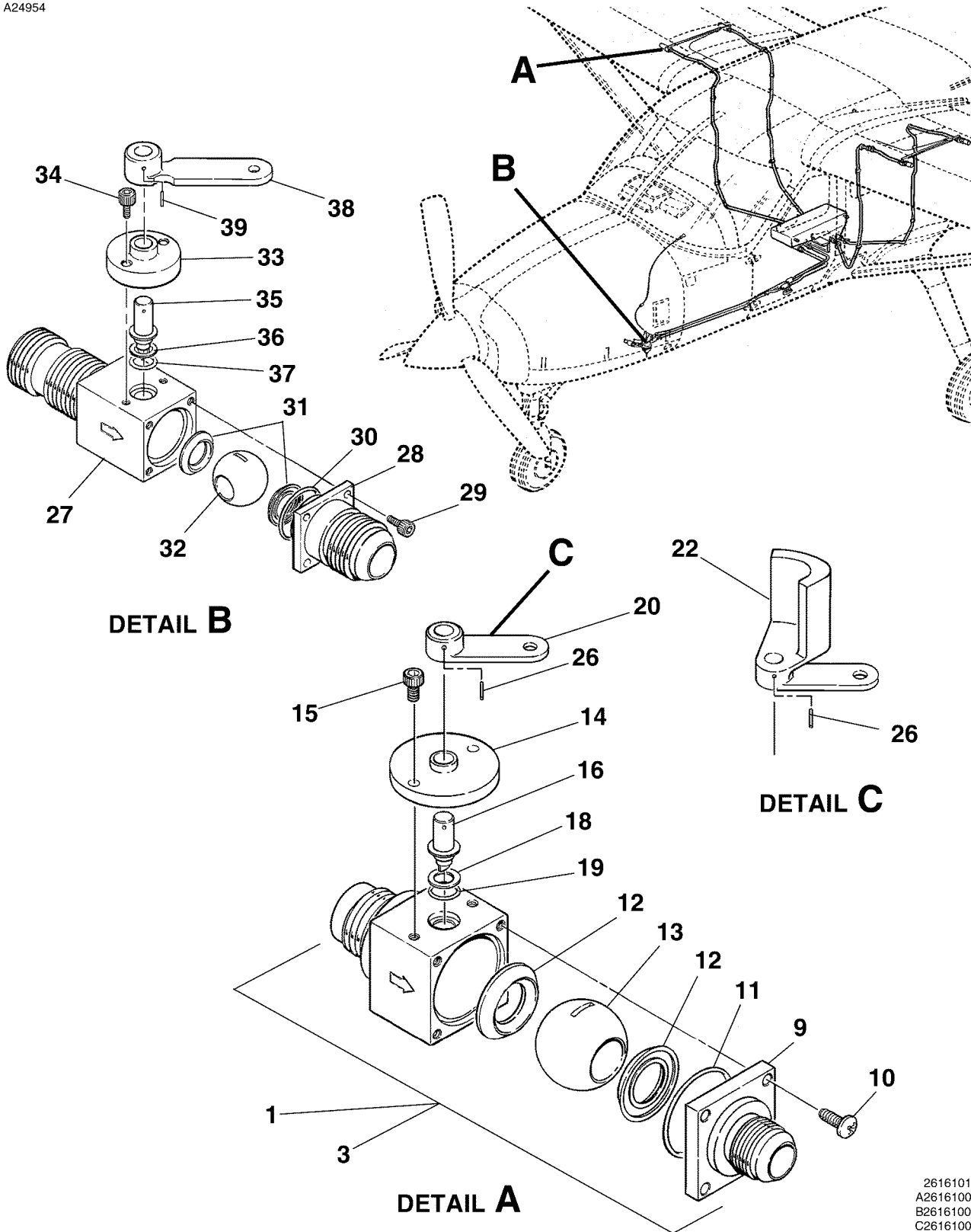
CESSNA®
MODEL 208
ILLUSTRATED PARTS CATALOG

FIG ITEM	PART NUMBER	NOMENCLATURE	UNITS	
			PER	ASSY
01				
150	1452535-2	. TERMINAL-CONTROL CABLE	0224 & ON	02
		ATTACHING PARTS	B0327 & ON	
151	MS20392-3C11	. PIN	0224 & ON	01
			B0327 & ON	
152	NAS1149F0432P	. WASHER	0224 & ON	01
			B0327 & ON	
153	MS24665-132	. PIN-COTTER	0224 & ON	01
			B0327 & ON	
		—*—		
154	C299516-0101	. CONTROL-FUEL SELECTOR	0224 & ON	02
- 155	C299516-0102	. CONTROL-FUEL SELECTOR	B0327 & ON	02
156	AN315-3R	. NUT	0224 & ON	02
			B0327 & ON	
157	2613429-1	. SUPPORT ASSY-OVERHEAD CONSOLE CONTROLS FSO 2613429-3	0224 0237	NP
			B0327 B0394	
- 158	2613429-3	. SUPPORT ASSY-OVERHEAD CONSOLE CONTROLS	0238 & ON	01
			B0395 B4999	
- 159	2613429-5	. SUPPORT ASSY-OXYGEN	B5000 & ON	01
		ATTACHING PARTS		
160	MS24694-S5	. SCREW	0224 & ON	04
			B0327 & ON	
		—*—		
- 161	2613426-1	. . . SUPPORT PLATE ASSY.	0224 & ON	01
			B0327 & ON	
162	2613426-2	. . . SUPPORT PLATE	0224 & ON	01
			B0327 & ON	
163	S1004-47A	. . . BEARING	0224 & ON	02
			B0327 & ON	
164	MS21069L08	. . . NUTPLATE	0224 & ON	04
			B0327 & ON	
165	2613426-3	. . . BRACKET	0224 & ON	01
			B0327 & ON	
166	NAS1033A08	. . . NUTPLATE	0224 & ON	04
			B0327 & ON	
167	2613425-1	. . BRACKET ASSY	0224 & ON	01
			B0327 & ON	
		ATTACHING PARTS		
168	MS24693-S58	. . SCREW	0224 & ON	02
			B0327 & ON	
		—*—		
169		. . . SUPPORT ASSY-REFER TO 35-14-00 FIGURE 01		RF
170	MS35206-245	. . SCREW-SUPPORT ASSY ATTACH	0224 & ON	02
			B0327 & ON	
171	2613428-1	. . SHAFT ASSY	0224 & ON	02
			B0327 B4999	
- 172	2613428-3	. . SHAFT ASSY	B5000 & ON	02
173	NAS1149F0532P	. . WASHER	0224 & ON	04
			B0327 & ON	
174	1516212-17	. . LEVER ASSY	0224 & ON	02
			B0327 & ON	
175	NAS561-3-7	. . PIN-LEVER ASSY ATTACH	0224 & ON	01
			B0327 & ON	
176	1516033-1	. KNOB ASSY- FUEL SELECTOR	0224 & ON	02
			B0327 & ON	
177	LP22F40P8	. SCREW-KNOB ASSY ATTACH V03038	0224 & ON	01
			B0327 & ON	
178	1516016-3	. . INSERT-KNOB	0224 & ON	01
			B0327 & ON	
179	2613437-1	. PLATE ASSY- FUEL SELECT PANEL	0224 & ON	01
			B0327 & ON	
- 180		. PLATE ASSY-FUEL SELECT PANEL USED WITH OXYGEN REFER TO 35-14-00 FIGURE 01	0224 & ON	RF
			B0327 & ON	
181	2613437-7	. GLASS ASSY-FUEL SELECT PANEL	0224 & ON	01
			B0327 & ON	
- 182		. GLASS ASSY-FUEL SELECT PANEL USED WITH OXYGEN REFER TO 35-14-00 FIGURE 01	0224 & ON	RF
			B0327 & ON	
183	MS24693BB51	. SCREW-GLASS ASSY ATTACH	0224 & ON	03
			B0327 & ON	
184	MS35489-7S	. GROMMET	B0001 B4999	04
- 184A	MS35489-7	. GROMMET	B5000 & ON	04
185	S1399-1	. WRAP 12.00 IN LG BKI		02
186	S1399-1	. WRAP 6.00 IN LG BKI		02

- ITEM NOT ILLUSTRATED

CESSNA®
MODEL 208
 ILLUSTRATED PARTS CATALOG

A24954



FUEL SHUTOFF VALVES
 FIGURE 01 (SHEET 1)

26161013
 A26161007
 B26161006
 C26161007

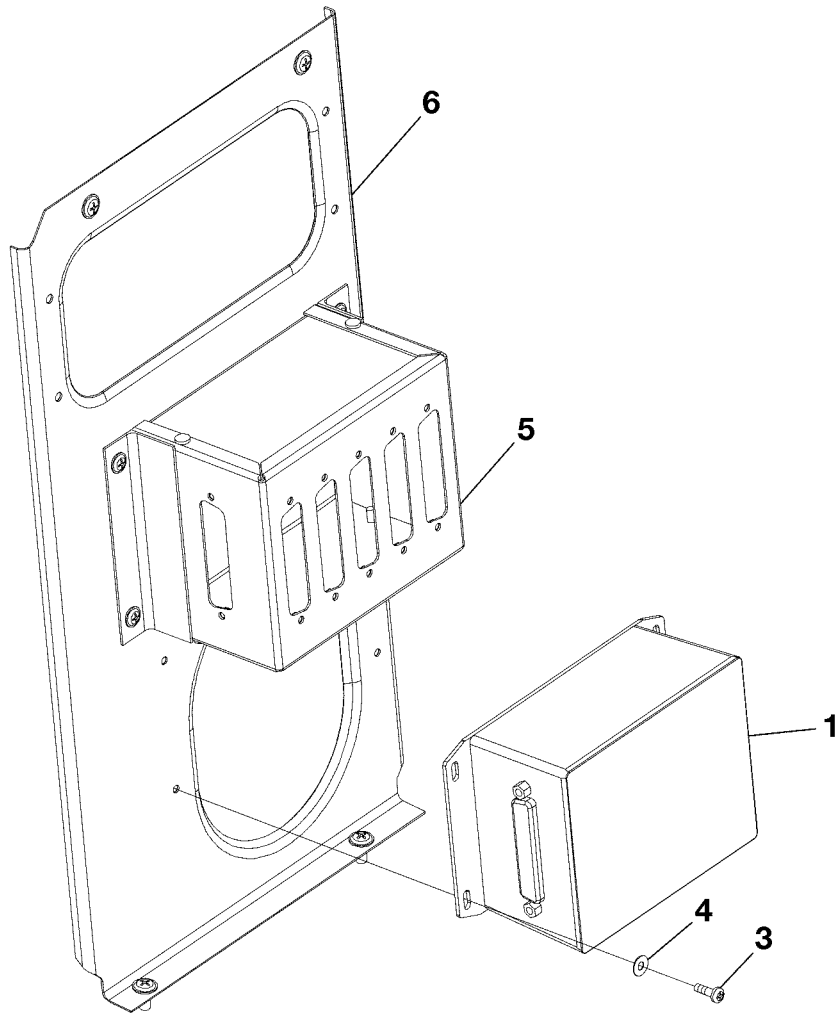
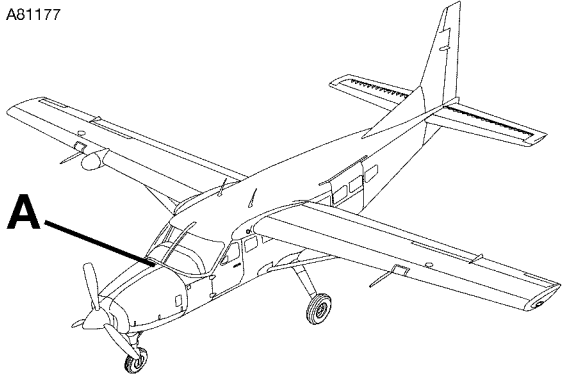
CESSNA®
MODEL 208
ILLUSTRATED PARTS CATALOG

FIG ITEM	PART NUMBER	NOMENCLATURE	UNITS PER ASSY			
			1	2	3	4
01		FUEL SHUTOFF VALVES				RF
-						
1	72C12C-4	. FUEL SHUTOFF VALVE-WING RH REFER TO NOTE 1 V91511	0001	0105		02
- 2	72C12C-5	. FUEL SHUTOFF VALVE-WING LH REFER TO NOTE 1 V91511	0001	0105		02
3	72C12C-4	. FUEL SHUTOFF VALVE-WING RH FWD REFER TO NOTE 2 V91511	0106	& ON		01
			B0001	& ON		
- 4	72C12C-5	. FUEL SHUTOFF VALVE-WING LH FWD REFER TO NOTE 2 V91511	0106	& ON		01
			B0001	& ON		
- 5	2616030-2	. FUEL SHUTOFF VALVE ASSY-WING RH AFT FSO 2616030-4 REFER TO NOTE 2	0106	0198		NP
			B0001	B0239		
- 6	2616030-4	. FUEL SHUTOFF VALVE ASSY-WING RH AFT	0199	& ON		01
			B0240	& ON		
- 7	2616030-1	. FUEL SHUTOFF VALVE ASSY-WING LH AFT FSO 2616030-3 REFER TO NOTE 2	0106	0198		NP
			B0001	B0239		
- 8	2616030-3	. FUEL SHUTOFF VALVE ASSY-WING LH AFT	0199	& ON		01
			B0240	& ON		
9	72102C12	. . FITTING-OUTLET V91511				01
		ATTACHING PARTS				
10	MS21090-0837	. . SCREW				04
		—*—				
11	MS29513-025	. . O-RING				01
12	72083C	. . SEAL V91511				02
13	72124B	. . BALL V91511				01
14	72089B4	. . RETAINER V91511				01
		ATTACHING PARTS				
15	NAS1352-06LE8P	. . SCREW-CAP				02
		—*—				
16	72127B2-4	. . SHAFT USED WITH RH VALVE ONLY V91511				01
- 17	72127B2-5	. . SHAFT USED WITH LH VALVE ONLY V91511				01
18	14A	. . SEAL V91511				01
19	MS29513-011	. . O-RING				01
20	72086B3	. . HANDLE REFER TO NOTE 1 V91511	0001	0105		01
- 21	72086B3	. . HANDLE FWD VALVE REFER TO NOTE 2	0106	& ON		01
			B0001	& ON		
22	2606004-2	. . LEVER-RH AFT VALVE FSO 2606004-6 REFER TO NOTE 2	0106	0198		NP
			B0001	B0239		
- 23	2606004-6	. . LEVER-RH AFT VALVE	0199	& ON		01
			B0240	& ON		
- 24	2606004-1	. . LEVER-LH AFT VALVE FSO 2606004-5 REFER TO NOTE 2	0106	0198		NP
			B0001	B0239		
- 25	2606004-5	. . LEVER-LH AFT VALVE	0199	& ON		01
			B0240	& ON		
		ATTACHING PARTS				
26	MS16562-35	. . PIN				01
		—*—				
27	72D10C	. FUEL SHUTOFF VALVE-FIREWALL V91511	B0001	B4999		01 R
- 27A	72DA0358	. FUEL SHUTOFF VALVE-FIREWALL V91511	B5000	& ON		01 R
28	72082C9	. . FITTING-OUTLET V91511				01
		ATTACHING PARTS				
29	MS21295-13	. . SCREW				04
		—*—				
30	MS29513-018	. . O-RING				01
31	72083C	. . SEAL V91511				02
32	72084B6	. . BALL V91511				01
33	72089B9	. . RETAINER V91511				01
		ATTACHING PARTS				
34	MS21295-19	. . SCREW- CAP				02
		—*—				
35	72087B9	. . SHAFT V91511				01
36	14A	. . SEAL V91511				01
37	MS29513-010	. . O-RING				01
38	72086B9	. . HANDLE V91511				01
		ATTACHING PARTS				
39	MS16562-213	. . PIN				01
		—*—				

NOTE 1—AIRPLANES NOT INCORPORATING SK208-20
NOTE 2—AIRPLANES -0001 THRU -0105 INCORPORATING SK208-20.

CESSNA®
MODEL 208
ILLUSTRATED PARTS CATALOG

A81177



DETAIL A

SIGNAL CONDITIONER INSTALLATION
FIGURE 01 (SHEET 1)

2610T7002
A2618T1449

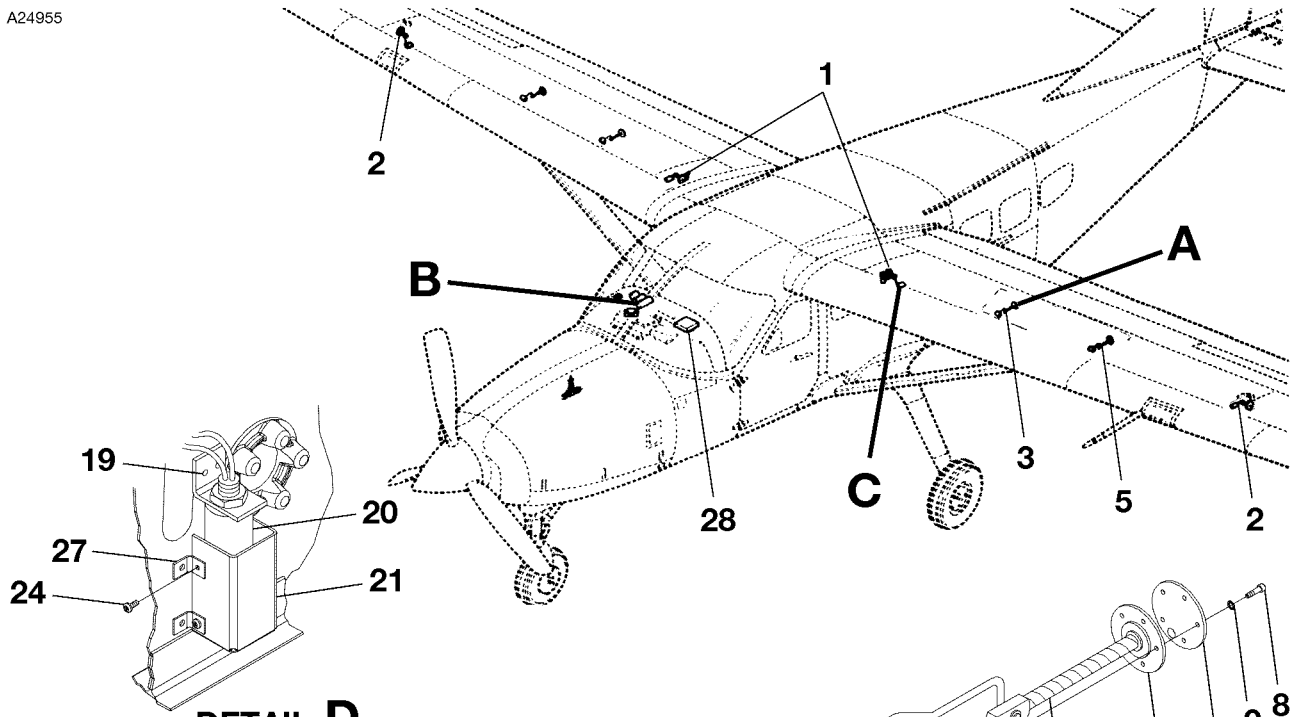
CESSNA®
MODEL 208
 ILLUSTRATED PARTS CATALOG

FIG ITEM	PART NUMBER	NOMENCLATURE	UNITS PER ASSY		
			1	2	3
01		SIGNAL CONDITIONER INSTALLATION			
-			0500	0650	RF R
			B2000	B5500	
1	85-292-1	. SIGNAL CONDITIONER UI024 FSO 85-292-5 V58880	0500	0564	NP R
			B2000	B4999	
- 2	85-292-5	. SIGNAL CONDITIONER UI024 V58880	0565	0650	01 R
			B5000	B5500	
		ATTACHING PARTS			
3	MS35206-229	. SCREW			04
4	NAS1149FN616P	. WASHER			04
		—*—			
5		. AVIONICS JBOX REFER TO 24-50-03 FIGURE 02			RF
6		. AVIONICS RACK REFER TO 25-70-00 FIGURE 01			RF

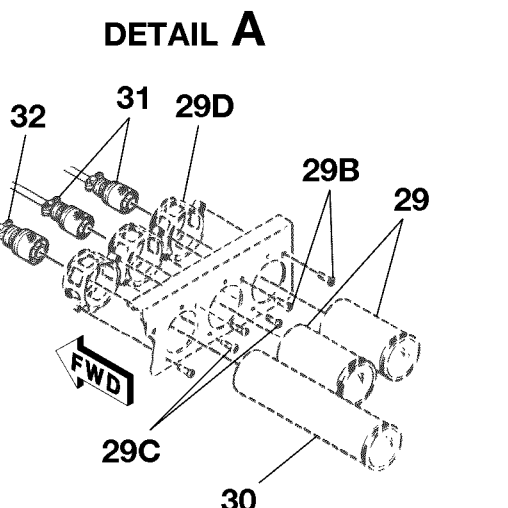
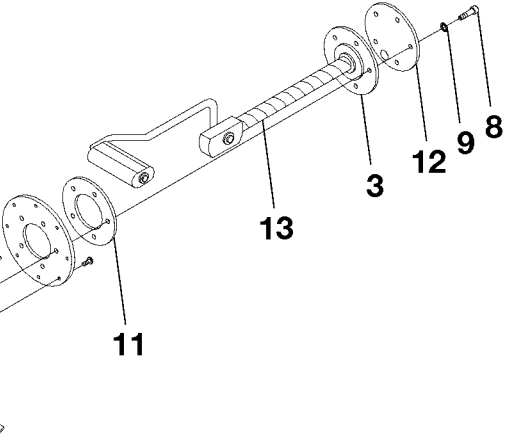
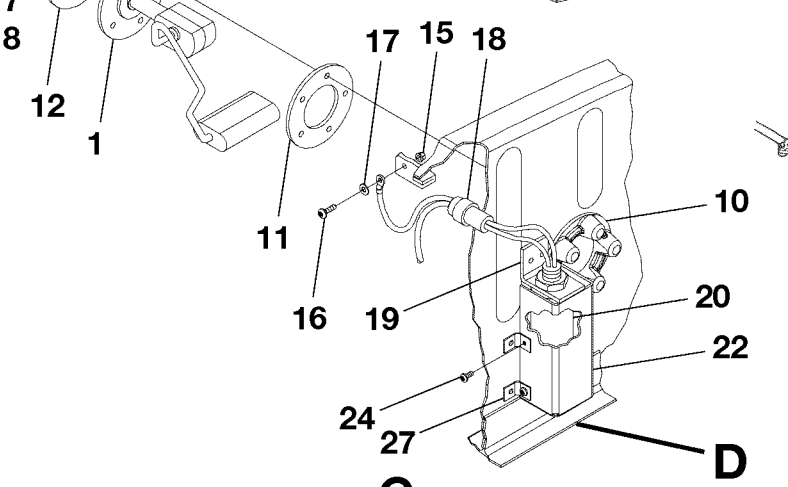
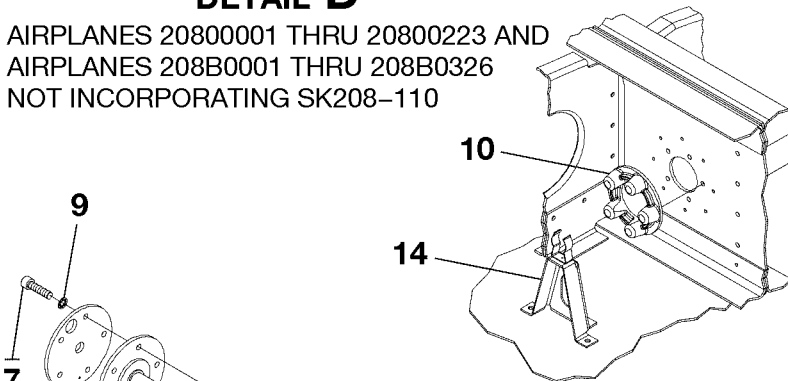
- ITEM NOT ILLUSTRATED

CESSNA®
MODEL 208
 ILLUSTRATED PARTS CATALOG

A24955



DETAIL D
 AIRPLANES 20800001 THRU 20800223 AND
 AIRPLANES 208B0001 THRU 208B0326
 NOT INCORPORATING SK208-110



DETAIL C

DETAIL B

FUEL INDICATING SYSTEM
 FIGURE 01 (SHEET 1)

2610R1005
 A2626T3001
 B2616R1016
 C2626T2002A
 D2626T2002

CESSNA®
MODEL 208
ILLUSTRATED PARTS CATALOG

FIG ITEM	PART NUMBER	NOMENCLATURE	UNITS PER ASSY		
			1	2	3
01		FUEL INDICATING SYSTEM			RF
- 1	C668050-1101	. TRANSMITTER-FUEL INBOARD	0001	0066	02
- 1A	C668050-1103	. TRANSMITTER-FUEL INBOARD	0067	0499	02
			B0001	B1999	
2	C668050-1102	. TRANSMITTER-FUEL OUTBOARD	0001	0066	02
- 2A	C668050-1104	. TRANSMITTER-FUEL OUTBOARD	0067	0499	02
			B0001	B1999	
3	C668050-1105	. TRANSMITTER-FUEL MID-INBOARD FSO C668050-1107	0067	0234	NP
			B0001	B0360	
- 4	C668050-1107	. FUEL TRANSMITTER MID-INBOARD REFER TO NOTE 2	0235	0499	02
			B0361	B1999	
5	C668050-1106	. TRANSMITTER-FUEL MID-OUTBOARD FSO C668050-1108	0067	0234	NP
			B0001	B0360	
- 6	C668050-1108	. FUEL TRANSMITTER MID-OUTBOARD REFER TO NOTE 2	0235	0499	02
			B0361	B1999	
		ATTACHING PARTS			
7	NAS1352-3-12	. SCREW-INBOARD RIB LOCATION ONLY USED WITH 1716008-1 NUTRING	0001	0499	05
			B0001	B1999	
- 7A	NAS1351-3-12	. SCREW-INBOARD RIB LOCATION ONLY USED WITH 2626017-2 NUTRING	0001	0499	05
			B0001	B1999	
8	NAS1352-3-14	. SCREW USED WITH 1716008-1 NUTRING	0001	0499	05
			B0001	B1999	
- 8A	NAS1351-3-12	. SCREW USED WITH 2626017-2 NUTRING	0001	0499	05
			B0001	B1999	
9	MS35333-39	. LOCK WASHER	0001	0499	05
			B0001	B1999	
		—*—			
10		. NUTRING REFER TO 57-10-02 FIGURE 01			RF
11	S2670-1	. GASKET	0001	0499	04
			B0001	B1999	
12	2522275-1	. PLATE-INSULATING COVER	0001	0499	02 R
			B0001	B1999	
13	BL101-8-1	. SPIRAL WRAP	0001	0234	04
			B0001	B0360	
14		. BRACKET ASSY-FUEL TRANSMITTER REFER TO 57-10-02 FIGURE 02			RF
15	MS21042-08	. NUT			02
16	MS35206-245	. SCREW			02
17	NAS1149FN832P	. WASHER			02
18	MS3116E8-33S	. CONNECTOR			02
19		. BRACKET-LOW FUEL LEVEL SWITCH REFER TO 57-10-02 FIGURE 01			RF
20	GF5500-81	. SWITCH-LOW FUEL LEVEL LH SL002		V58918	01
- 20A	GF5500-81	. SWITCH-LOW FUEL LEVEL RH SR002		V58918	01
21	2622253-1	. COVER ASSY-LOW FUEL LEVEL SWITCH FSO SK208-110 REFER TO NOTE 1	0001	0223	NP
			B0001	B0326	
22	2622286-1	. COVER ASSY-LOW FUEL LEVEL SWITCH LH REFER TO NOTE 1	0224	& ON	01
			B0327	& ON	
- 23	2622286-4	. COVER ASSY- LOW FUEL LEVEL SWITCH RH REFER TO NOTE 1	0224	& ON	01
			B0327	& ON	
		ATTACHING PARTS			
24	MS35206-227	. SCREW			04
		—*—			
- 25	MS21047L06	. NUTPLATE			02
- 26	MS21055L06	. NUTPLATE			02
27		. BRACKET REFER TO 57-10-02 FIGURE 01			RF
28		. LOW FUEL INDICATOR LIGHT REFER TO 31-00-00 FIGURE 01			RF
29	C662041-0101	. FUEL QTY INDICATOR LH & RH	0001	0066	02
- 29A	C662041-0102	. FUEL QTY INDICATOR LH & RH	0067	0499	02
			B0001	B1999	
		ATTACHING PARTS			
29B	MS24693BB50	. SCREW	0001	0499	01
			B0001	B1999	
29C	MS35214-43	. SCREW	0001	0499	01
			B0001	B1999	
29D	MS28042-1A	. CLAMP	0001	0499	01
			B0001	B1999	
		—*—			
30		. FUEL FLOW GAUGE REFER TO 73-30-00 FIGURE 01			RF
31	S2654-5	. CONNECTOR ASSY-FUEL QTY GAUGE	0001	0499	02
			B0001	B1999	
32	S2654-6	. CONNECTOR ASSY-FUEL FLOW GAUGE	0001	0499	01
			B0001	B1999	

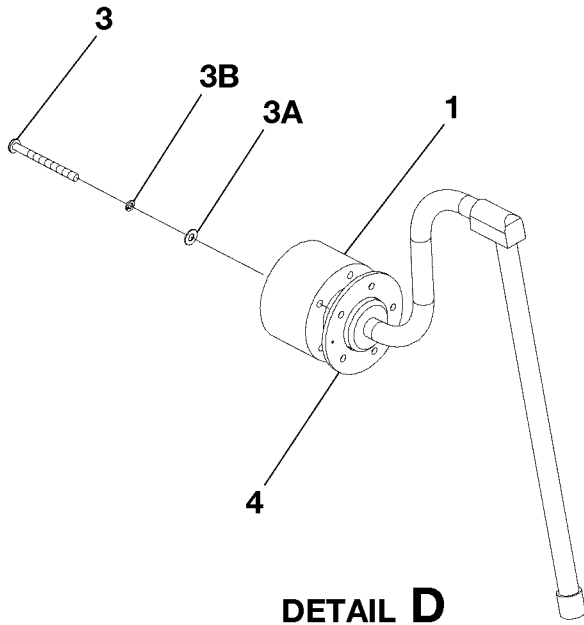
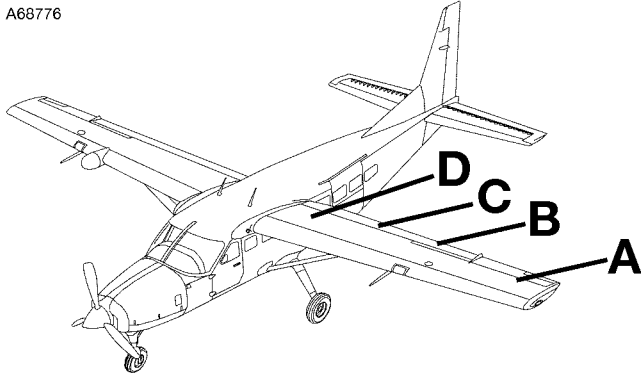
NOTE 1—WHEN ORDERING THIS PART, REFER TO SK208-110 FOR INSTALLATION PROCEDURES.

NOTE 2—AIRPLANES -0235 & ON AND -B0361 & ON AND AIRPLANES -0001 THRU -0234 AND -B0001 THRU -B0360 INCORPORATING CAB04-1.

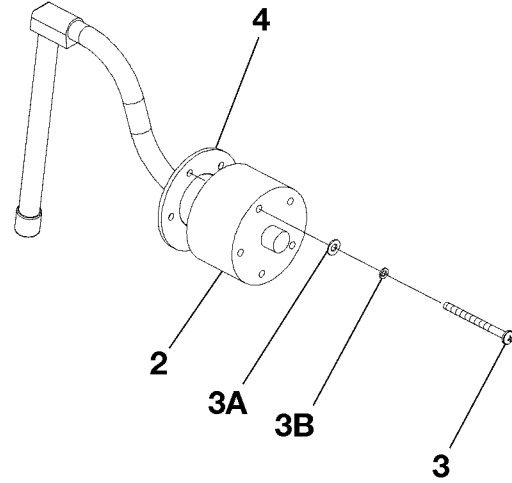
- ITEM NOT ILLUSTRATED

CESSNA®
MODEL 208
ILLUSTRATED PARTS CATALOG

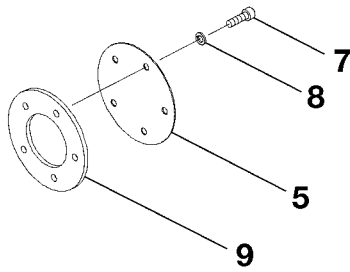
A68776



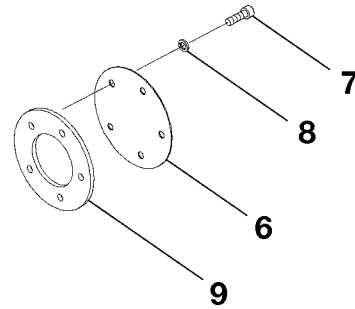
DETAIL D



DETAIL A



DETAIL C



DETAIL B

FUEL SENSOR
FIGURE 02 (SHEET 1)

2610T7005
A2616T1039
B2616T1039
C2616T1039
D2616T1039

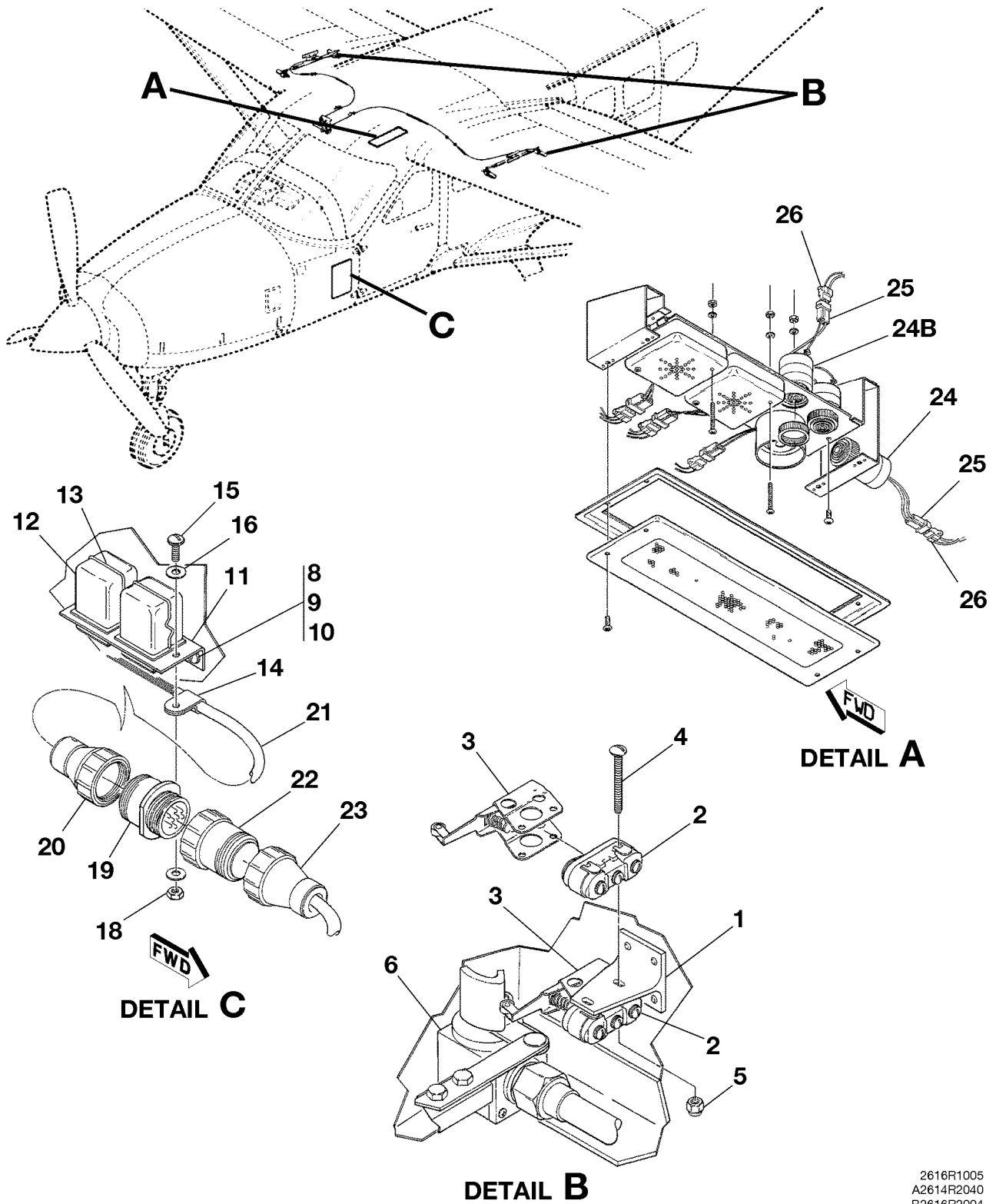
CESSNA®
MODEL 208
ILLUSTRATED PARTS CATALOG

FIG ITEM	PART NUMBER	NOMENCLATURE	UNITS PER ASSY		
			1	2	3
02		FUEL SENSOR			
-			0500	& ON	RF
			B2000	& ON	
1	76-207-1	. FUEL LEVEL SENSOR-LH UL001 WS 53.00 FSO S3100-630 V58880	0500	0533	NP R
			B2000	B2335	
- 1A	76-207-1	. FUEL LEVEL SENSOR-RH UR001 WS 53.00 FSO S3100-630 V58880	0500	0533	NP R
			B2000	B2335	
- 1B	76-207-11	. FUEL LEVEL SENSOR-LH UL001 WS 53.00 FSO S3100-630 V58880	0534	0537	NP R
			B2336	B2341	
- 1C	76-207-11	. FUEL LEVEL SENSOR-RH UR001 WS 53.00 FSO S3100-630 V58880	0534	0537	NP R
			B2336	B2341	
- 1D	S3100-576	. FUEL LEVEL SENSOR-LH UL001 WS 53.00 FSO S3100-630	0538	0540	NP
			B2342	B2353	
- 1E	S3100-576	. FUEL LEVEL SENSOR-RH UR001 WS 53.00 FSO S3100-630	0538	0540	NP
			B2342	B2353	
- 1F	S3100-581	. FUEL LEVEL SENSOR-LH UL001 WS 53.00 FSO S3100-630	0541	0590	NP
			B2354	B5334	
- 1G	S3100-581	. FUEL LEVEL SENSOR-RH UR001 WS 53.00 FSO S3100-630	0541	0590	NP
			B2354	B5334	
- 1H	S3100-630	. FUEL LEVEL SENSOR-LH UL001 WS 53.00	0591	& ON	01
			B5335	& ON	
- 1J	S3100-630	. FUEL LEVEL SENSOR-RH UR001 WS 53.00	0591	& ON	01
			B5335	& ON	
2	76-207-2	. FUEL LEVEL SENSOR-LH UL002 WS 214.30 FSO S3100-629 V58880	0500	0532	NP
			B2000	B2323	
- 2A	76-207-2	. FUEL LEVEL SENSOR-RH UR002 WS 214.30 FSO S3100-629 V58880	0500	0532	NP
			B2000	B2323	
- 2B	76-207-12	. FUEL LEVEL SENSOR-LH UL002 WS 214.30 FSO S3100-629 V58880	0533	0537	NP
			B2324	B2341	
- 2C	76-207-12	. FUEL LEVEL SENSOR-RH UR002 WS 214.30 FSO S3100-629 V58880	0533	0537	NP
			B2324	B2341	
- 2D	S3100-577	. FUEL LEVEL SENSOR-LH UL002 WS 214.30 FSO S3100-629	0538	0540	NP
			B2342	B2353	
- 2E	S3100-577	. FUEL LEVEL SENSOR-RH UR002 WS 214.30 FSO S3100-629	0538	0540	NP
			B2342	B2353	
- 2F	S3100-582	. FUEL LEVEL SENSOR-LH UL002 WS 214.30 FSO S3100-629	0541	0590	NP
			B2354	B5334	
- 2G	S3100-582	. FUEL LEVEL SENSOR-RH UR002 WS 214.30 FSO S3100-629	0541	0590	NP
			B2354	B5334	
- 2H	S3100-629	. FUEL LEVEL SENSOR-LH UL002 WS 214.30	0591	& ON	01
			B5335	& ON	
- 2J	S3100-629	. FUEL LEVEL SENSOR-RH UR002 WS 214.30	0591	& ON	01
			B5335	& ON	
		ATTACHING PARTS			
3	MS35206-272	. SCREW			10
3A	NAS1149F0332P	. WASHER			10
3B	MS35338-43	. LOCK WASHER			10
4	S2670-1	. GASKET			02
		—*—			
5	2670175-4	. COVER-FUEL SENSOR WS 97.50	0500	0552	01
			B2000	B5075	
6	2670175-4	. COVER-FUEL SENSOR WS 141.20	0500	0552	01
			B2000	B5075	
		ATTACHING PARTS			
7	NAS1352-3-10	. SCREW	0500	0552	10
			B2000	B5075	
8	MS35338-43	. LOCK WASHER	0500	0552	10
			B2000	B5075	
		—*—			
9	S2670-1	. GASKET	0500	0552	02
			B2000	B5075	

- ITEM NOT ILLUSTRATED

CESSNA®
MODEL 208
 ILLUSTRATED PARTS CATALOG

A24957



FUEL SELECTORS OFF WARNING SYSTEM
 FIGURE 01 (SHEET 1)

2616R1005
 A2614R2040
 B2616R2004
 C2616R1011

CESSNA®
MODEL 208
ILLUSTRATED PARTS CATALOG

FIG ITEM	PART NUMBER	NOMENCLATURE	UNITS PER ASSY		
			1	2	3
01		FUEL SELECTORS OFF WARNING SYSTEM REFER TO NOTE 1			
-			0106	& ON	RF
			B0001	& ON	
1	2606004-3	. TEE-SWITCH SUPPORT			02
2	1HS6	. SWITCH-FUEL SELECTOR OFF WARNING LH & RH V91929			04
3	ADH3721R2	. ACTUATOR-SWITCH V91929	0106	0499	04
			B0001	B01999	
- 3A	ADH3721R2	. ACTUATOR-SWITCH V91929	0500	& ON	02
			B2000	& ON	
		ATTACHING PARTS			
4	MS35206-328	. SCREW-RH & LH			04
5	MS21044N08	. NUT-RH & LH			04
		—*—			
6		. VALVE ASSEMBLY LH & RH REFER TO 28-23-01 FIGURE 01			RF
- 7	2670088-1	. RELAY BRACKET ASSY			01
		ATTACHING PARTS			
8	MS35206-230	. SCREW			02
9	NAS1149FN632P	. WASHER			04
10	MS21044N06	. NUT			02
		—*—			
11	2670088-2	. RELAY BRACKET			01
12	S4039-1	. RELAY-FUEL SELECTOR OFF WARNING			02
13	S2032-3	. SPRING			02
14	S1155-4	. CLAMP			01
		ATTACHING PARTS			
15	MS35207-262	. SCREW			01
16	NAS1149F0332P	. WASHER UNDER SCREW HEAD			01
- 17	NAS1149F0363P	. WASHER UNDER NUT			01
18	AN316-3R	. NUT			01
		—*—			
19	S2350-3	. RECEPTACLE			01
20	S2351-1	. CLAMP			01
21	S1694-4	. TUBING 6.00 IN LG BKI			01
22	S2349-1	. CONNECTOR			01
23	S2351-1	. CLAMP			01
24	SC628P	. SONALERT-WARNING HORN FSO SC628PR UC003 V37942			NP R
- 24A	SC628PR	. SONALERT-WARNING HORN UC003 V37942			02
24B	SC628ANP	. SONALERT SIGNAL FSO SC628ANPR UC004 V37942			NP
- 24C	SC628ANPR	. SONALERT SIGNAL UC004 V37942			01
25	S2035-1	. HOUSING-CAP			01
26	S2035-2	. HOUSING-PLUG			02

NOTE 1—AIRPLANES -0001 THRU -0105 INCORPORATING SK208-20.